

STAINLESS STEEL SANITARY TOILETS

GW08 58 04 01 Anti vandalism toilet with discharge

GENWEC[®]
WASHROOM EQUIPMENT & COMP.



Product description

Toilet with discharge tank
Made of AISI 304 stainless steel.
Brushed finish.

Technical specifications:

Anti vandalism toilet with discharge tank. The product consists of a main body and a discharge tank. The main body is made of AISI 304 stainless steel with a thickness of 1,5 mm. The interior looks like a siphon. The assembly of the unit is done by means of wall and floor screws. The unit has a brushed finish that gives adequate resistance against corrosion. The total dimensions of the product are 710x353x600mm. The reference of the product is GW08 58 0401 manufactured by GENWEC S.L. – Avd. Joan Carles I, 46-48 L'Hospitalet de Llobregat ES08908 - Barcelona (Spain). www.genwec.com

Technical features:

Product specifications

Body made of AISI 304 stainless steel.

Top : 2,5mm thickness

Bottom : 2,0mm thickness

Walls : 1,5mm thickness

Discharge tank made of AISI 304 stainless steel, 1mm thickness.

Anti vandalism.

Brushed finish.

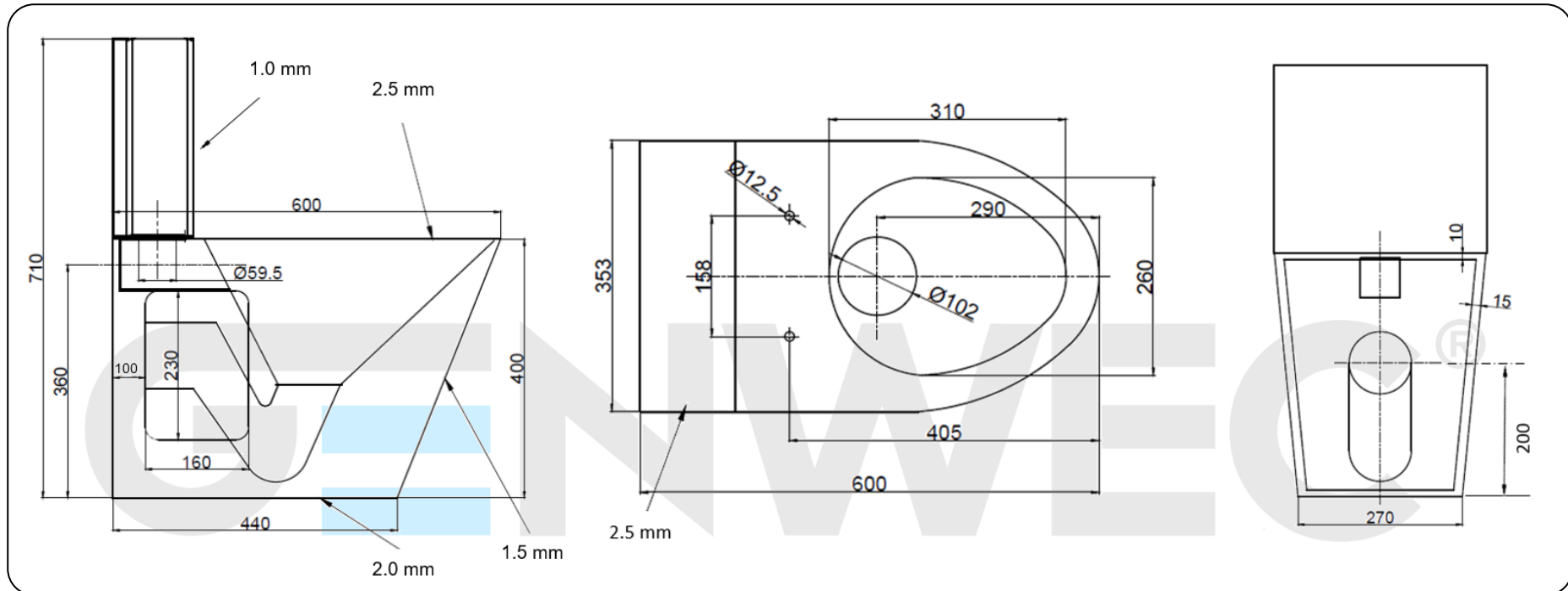
WC cistern capacity: 6liters

Dual flush 6 or 3liters system

GENWEC WASHROOM S.L. reserves the right to modify and/or rectify products and their specifications without prior notice.

Measures: ±3%

Revised by: MG_V3 (10/2023)



Cleaning: A damp cotton cloth with soapy water is recommended. Allow to dry.