

INSTALLATION, OPERATION AND MAINTENANCE MANUAL

Manual Device with spring return



GENEBRE Ref.: 5985

Installation, operation and maintenance instructions

1. Product Description	3
2. Storage	3
3. Installation instructions	4
3.1 Preparation	4
3.2 Assembling to the valve	4
4. Operation instructions	4
4.1 Manual operation	4
4.2 Torques	5
4.3 Connections Dimensions	5
5. Maintenance operations	5
6. Hygiene and Safety Instructions	6

1. Product Description.

This device prevents the valve from being accidentally opened or in the wrong position as it ensures return to the original position by a spring.

Total safety for the valve to be closed.

Clockwise 90°.

ISO 5211 Connection.

Housing in zinc alloy with epoxy coating.

Handle and stem of stainless steel.

Maintenance free.

Ideal for sampling systems, purges or applications for emptying or filling tanks.

2. Storage

During storage it is recommended to keep the device in the same position as delivered, with the included protective wrapping to avoid damages or dirt accumulation. The wrap must not be removed until the device is to be installed. As far as possible, store in a dry and clean environment.



Transport and storage of these devices must be done in their original wrapping.

VISUAL INSPECTION

Check whether during transport, unloading and placement, devices have suffered no damages.

MECHANICAL INSPECTION

Check whether all mobile parts of the different devices, as well as the screws and other elements, are accomplishing their purpose.



If you notice any kind of anomaly during reception of the goods, contact immediately with GENE BRE in order to determine the possible responsibilities on the issue and make the devices fully operational.

IMPORTANT NOTE:

Before installing and/or manipulating these pneumatical elements, **READ CAREFULLY** these instructions for use and **OBSERVE** all contained information. If you fail to understand any of their content, please **contact GENE BRE, S.A.**



User is responsible for the safe use of these devices, as established in present instructions for use and in the specific technical documentation of the device.

3. Installation instructions

3.1 Preparation

Remove any material remains of the element wrapping.
Prepare a clean working area.
Plan beforehand enough space for future maintenance operations.

It is recommended to perform this task under qualified professional surveillance.

3.2 Assembling to the valve

- 1- Check if the bolt circle on top flange and stem dimensions of the valve coincide with the bolt circle and square hole of the manual device, respectively (connection according to ISO 5211 standard).
- 2- Make sure that both valve and manual device are in fully closed position.
- 3- Mount the manual device with its shaft perpendicular to the valve (or pipeline) by means of the four screws and washers. Apply "cross method" for tightening.

4. Operation instructions

4.1 Manual operation

Angle of travel 90° (Non-Adjustable).
Rotate the handle slowly with a good grip and make sure there is nothing in the way to prevent the movement.

The drive must be slow and safe, do not release the handle freely, it may damage the device or cause an accident.

4.2 Torques

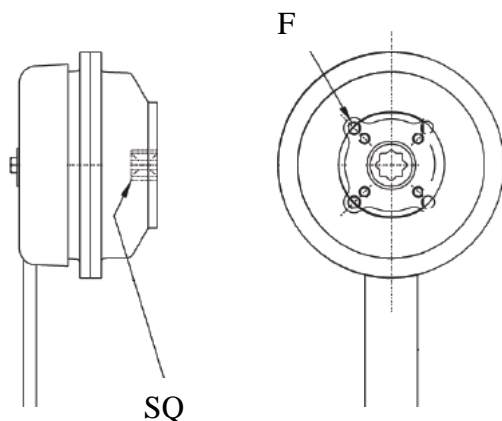
The torque of the manual device is as listed below:

Ref.	Torque (Nm)	
	Start (90°)	End (0°)
5985 02	14	11
5985 07	24	20.5
5985 09	45.5	39.7

It is recommended not to overpass the 90% of the maximum allowable torque for a longer life of the product.

4.3 Connections Dimensions

The manual device are designed for mounting on the valve according to ISO 5211 standard.



Ref.	Dimensiones (mm)	
	SQ	F
5985 02	11 x 11	F03/F05
5985 07	14 x 14	F03/F05/F07
5985 09	17 x 17	F05/F07

5. Maintenance operations

The manual devices are designed so that they do not need any lubrication and/or periodical maintenance during their life cycle. However, periodical checks will be useful to extend the service life of the product. Verify all locks and threaded ends to check if they are loose or with rust. Tighten them if necessary.

6. Hygiene and Safety Instructions

6.1) Fluids that go through the valve can be corrosive, toxic, flammable or pollutant. When operating valves, you must follow the security instructions and it is recommended to use personal protection gadgets:

- 1) Protect your eyes.
- 2) Wear gloves and appropriate working clothes.
- 3) Wear safety footwear.
- 4) Wear a helmet.
- 5) Have running water at hand.
- 6) To operate flammable fluids, make sure you have an extinguisher at hand.

6.2) Before removing a valve from a pipe, check always if the line is completely drained and depressurized.