

Art.: H1202 04 04

Conexión flexible trenzada GEFLEX DN10 M 1/2" - H 1/2"
Flexible connection braided GEFLEX DN10 M 1/2" - F 1/2'

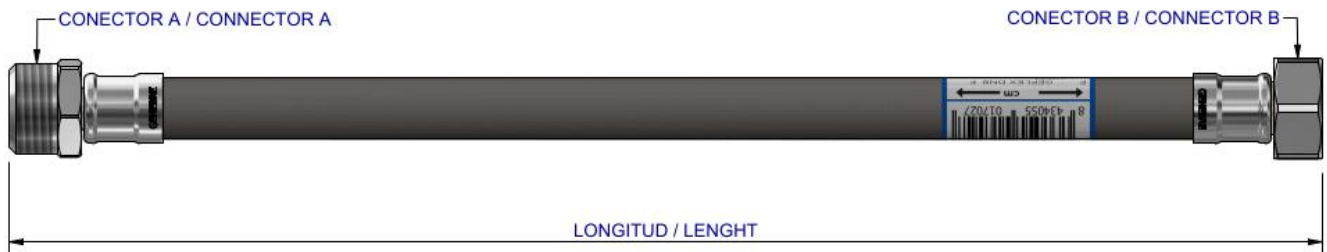


| Descripción | Description |
|--|---|
| Conexiones flexibles trenzadas DN10 fabricadas según normativa UNE-EN 13618. Calidad alimentaria según NF XP P 41-280. Junta de EPDM incluida. Racores según EN ISO 228-1. Utilizados para suministro de agua potable. | Flexible DN10 braided connections manufactured according to UNE-EN 13618 standards. Food quality according to NF XP P 41-280. EPDM gasket included. Fittings according to EN ISO 228-1. Used for drinking water supply. |

| Aplicaciones / Applications | | | |
|---|----------------------|--------------------|-------------------------|
| Instalaciones sanitarias Sanitary facilities | Griferías Faucets | Cisternas Tanks | Calentadores Heaters |
| | | | |

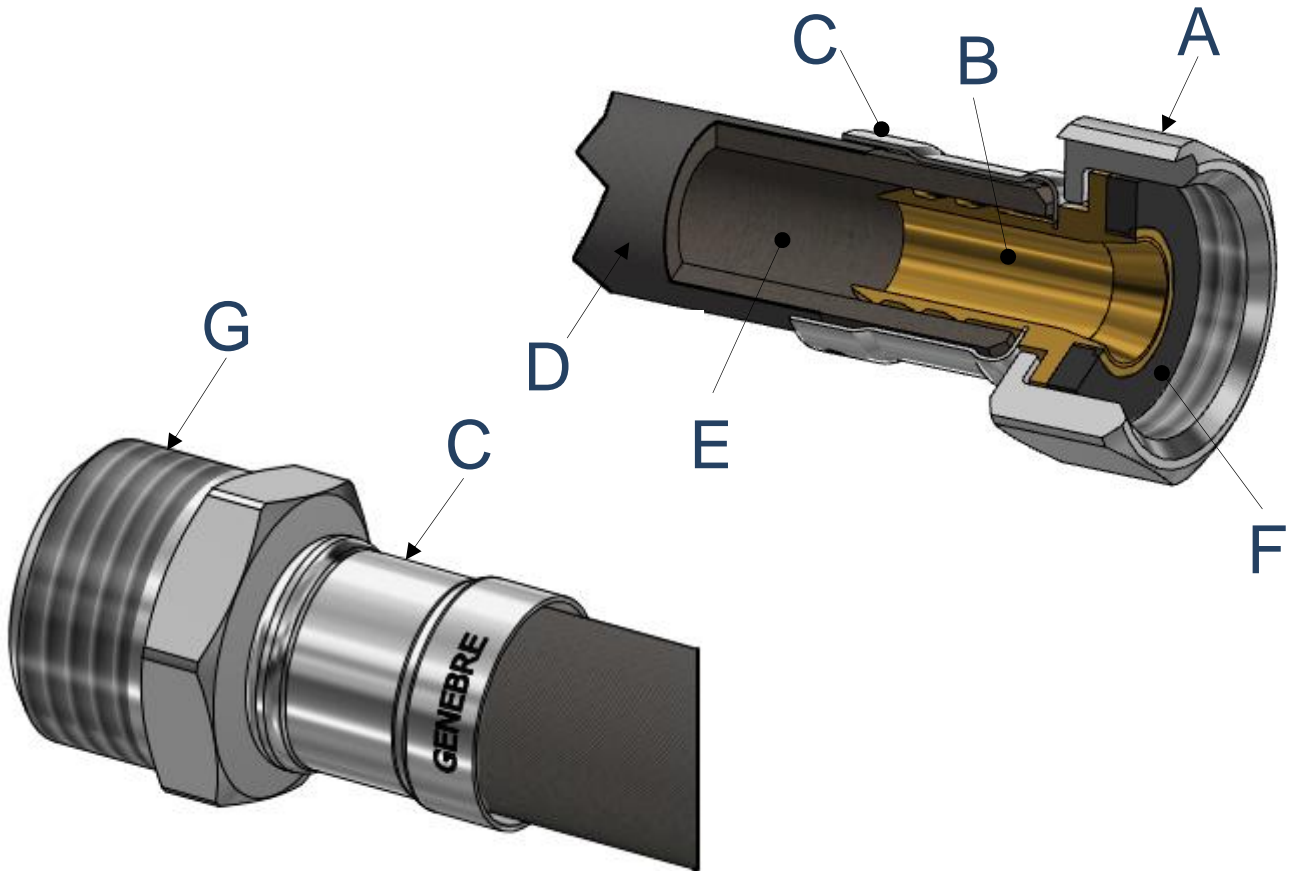
| Características / Features | |
|---|--|
| <p>Conexiones flexibles DN10 Ø Int. 10 mm Ø Ext. 13.8 mm Flexible connections DN8 Ø Int. 10 mm Ø Ext. 13.8 mm</p> | <p>Radio mínimo de curvatura 35 mm Minimum radius of curvature 35 mm</p> |
| <p>Presión máxima trabajo 10 Bar Maximum work pressure 10 Bar</p> | <p>Diámetro interior del racor 7.5 mm Fitting inner diameter 7.5 mm</p> |
| <p>Temperatura máxima trabajo 90° C. Temperatura mínima trabajo 5° C Maximum work temperature 90°C. Minimum work temperature 5°C.</p> | <p>Caudal. Ver pagina 4 Flow rate. See page 4</p> |

Dimensiones / Dimensions



| Referencia Reference | Descripción / Description | Conector A Connector A | Conector B Connector B | Longitud Length |
|-------------------------|------------------------------------|---------------------------|---------------------------|--------------------|
| H1202 04 04 010 | GEFLEX DN10 M 1/2" - F 1/2" 10 cm | M 1/2" | F 1/2" | 10 cm |
| H1202 04 04 015 | GEFLEX DN10 M 1/2" - F 1/2" 15 cm | M 1/2" | F 1/2" | 15 cm |
| H1202 04 04 020 | GEFLEX DN10 M 1/2" - F 1/2" 20 cm | M 1/2" | F 1/2" | 20 cm |
| H1202 04 04 025 | GEFLEX DN10 M 1/2" - F 1/2" 25 cm | M 1/2" | F 1/2" | 25 cm |
| H1202 04 04 030 | GEFLEX DN10 M 1/2" - F 1/2" 30 cm | M 1/2" | F 1/2" | 30 cm |
| H1202 04 04 035 | GEFLEX DN10 M 1/2" - F 1/2" 35 cm | M 1/2" | F 1/2" | 35 cm |
| H1202 04 04 040 | GEFLEX DN10 M 1/2" - F 1/2" 40 cm | M 1/2" | F 1/2" | 40 cm |
| H1202 04 04 050 | GEFLEX DN10 M 1/2" - F 1/2" 50 cm | M 1/2" | F 1/2" | 50 cm |
| H1202 04 04 060 | GEFLEX DN10 M 1/2" - F 1/2" 60 cm | M 1/2" | F 1/2" | 60 cm |
| H1202 04 04 070 | GEFLEX DN10 M 1/2" - F 1/2" 70 cm | M 1/2" | F 1/2" | 70 cm |
| H1202 04 04 080 | GEFLEX DN10 M 1/2" - F 1/2" 80 cm | M 1/2" | F 1/2" | 80 cm |
| H1202 04 04 090 | GEFLEX DN10 M 1/2" - F 1/2" 90 cm | M 1/2" | F 1/2" | 90 cm |
| H1202 04 04 100 | GEFLEX DN10 M 1/2" - F 1/2" 100 cm | M 1/2" | F 1/2" | 100 cm |
| H1202 04 04 120 | GEFLEX DN10 M 1/2" - F 1/2" 120 cm | M 1/2" | F 1/2" | 120 cm |
| H1202 04 04 150 | GEFLEX DN10 M 1/2" - F 1/2" 150 cm | M 1/2" | F 1/2" | 150 cm |
| H1202 04 04 200 | GEFLEX DN10 M 1/2" - F 1/2" 200 cm | M 1/2" | F 1/2" | 200 cm |

Materiales / Materials



| Descripción / Description | Posición / Position | Material | Acabado / Finished |
|--------------------------------------|---------------------|---|-------------------------------------|
| Tuerca 1/2" DN10 / 1/2" DN10 Nut | A | Latón CW617N / Brass CW617N | Niquelado / Nickel plated |
| Inserto 1/2" DN10 / 1/2" DN10 Insert | B | Latón CW617N / Brass CW617N | Limpiado al ácido / Cleaned to acid |
| Casquillo / Sleeve | C | Acero Inoxidable AISI 304 Stainless Steel AISI 304 | --- |
| Malla / Braiding | D | Acero Inoxidable AISI 304 Stainless Steel AISI 304 | --- |
| Tubo Interior / Inner tube | E | EPDM | --- |
| Junta plana / Gasket | F | EPDM | --- |
| Macho 1/2" DN10 / 1/2" DN10 Male | G | Latón CW617N / Brass CW617N | Niquelado / Nickel plated |

Ver consejos de Instalación / See Installation tips

