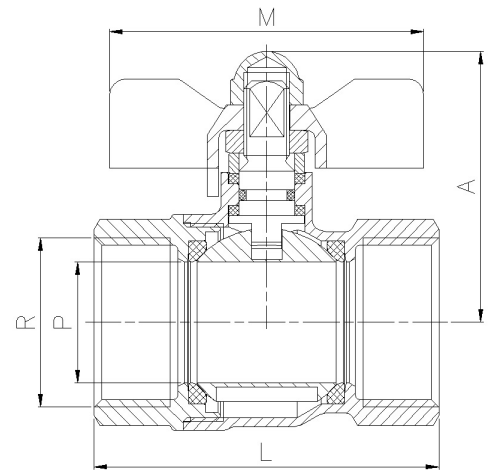
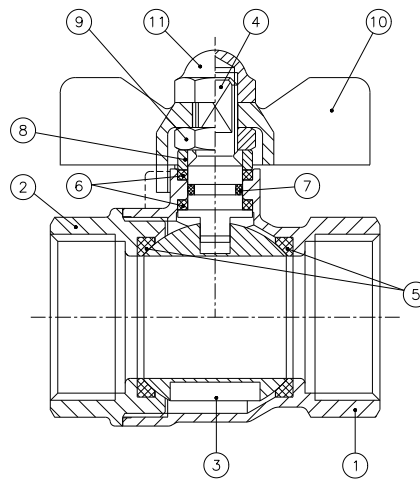


Art.: 3035

Válvula de esfera con palomilla / Ball valve with butterfly handle

| Características | Features |
|--|--|
| 1. Válvula esfera con paso total. | 1. Ball valve with full bore. |
| 2. Construcción en latón UNE-EN 12165 cromado | 2. Brass construction acc./ to UNE-EN 12165 chrome plated. |
| 3. Extremos rosca gas (BSP) hembra s/ ISO 228/1 | 3. Threaded female ends gas (BSP) acc/ ISO 228/1 |
| 4. Accionamiento mediante palomilla de aluminio. (Color azul - indicador agua fría). | 4. Working by means of aluminium butterfly handle. (Blue colour - cold water indicator). |
| 5. Temperatura de trabajo desde -20°C a 110°C | 5. Working temperature from -20°C to 110°C |
| 6. Presión máxima de trabajo 25 bar (PN 25) | 6. Maximum working pressure 25 bar (PN 25) |
| 7. Asientos PTFE | 7. PTFE Seats |
| 8. Producto certificado ACS | 8. ACS approval product |



| Nº | Denominación / Name | Material | Acabado Superficial / Surface Treatment |
|----|---------------------------|------------------------|---|
| 1 | Cuerpo / Body | Latón / Brass (CW617N) | Granallado + Cromado / Peened + Chromed |
| 2 | Tapa / Cap | Latón / Brass (CW617N) | Granallado + Cromado / Peened + Chromed |
| 3 | Esfera / Ball | Latón / Brass (CW617N) | Cromado / Chrome plated |
| 4 | Eje / Stem | Latón / Brass (CW617N) | Cromado / Chrome plated |
| 5 | Asientos / Ball seats | PTFE | - |
| 6 | A.prensa / Stem packing | PTFE | - |
| 7 | Tórica / O-Ring | NBR | - |
| 8 | Anillo prensa / Stem ring | Latón / Brass | Cromado / Chrome plated |
| 9 | Tuerca / Nut | Latón / Brass | Cromado / Chrome plated |
| 10 | Maneta / T-Handle | Aluminio / Aluminium | Pintado / Painted |
| 11 | Tuerca / Nut | Latón / Brass | Cromado / Chrome plated |

| Ref. | Medida / Size | | DN | Dimensiones / Dimensions (mm) | | | | Peso / Weight (Kg) |
|---------|---------------|--|----|-------------------------------|----|----|----|--------------------|
| | R | | | P | A | L | M | |
| 3035 02 | 1/4" | | 10 | 10 | 38 | 40 | 50 | 0,088 |
| 3035 03 | 3/8" | | 10 | 10 | 38 | 43 | 50 | 0,094 |
| 3035 04 | 1/2" | | 15 | 14 | 40 | 49 | 50 | 0,127 |
| 3035 05 | 3/4" | | 20 | 19 | 50 | 56 | 62 | 0,222 |
| 3035 06 | 1" | | 25 | 24 | 53 | 68 | 62 | 0,336 |

DIAGRAMA PÉRDIDA DE CARGA / HEAD LOSS CHART

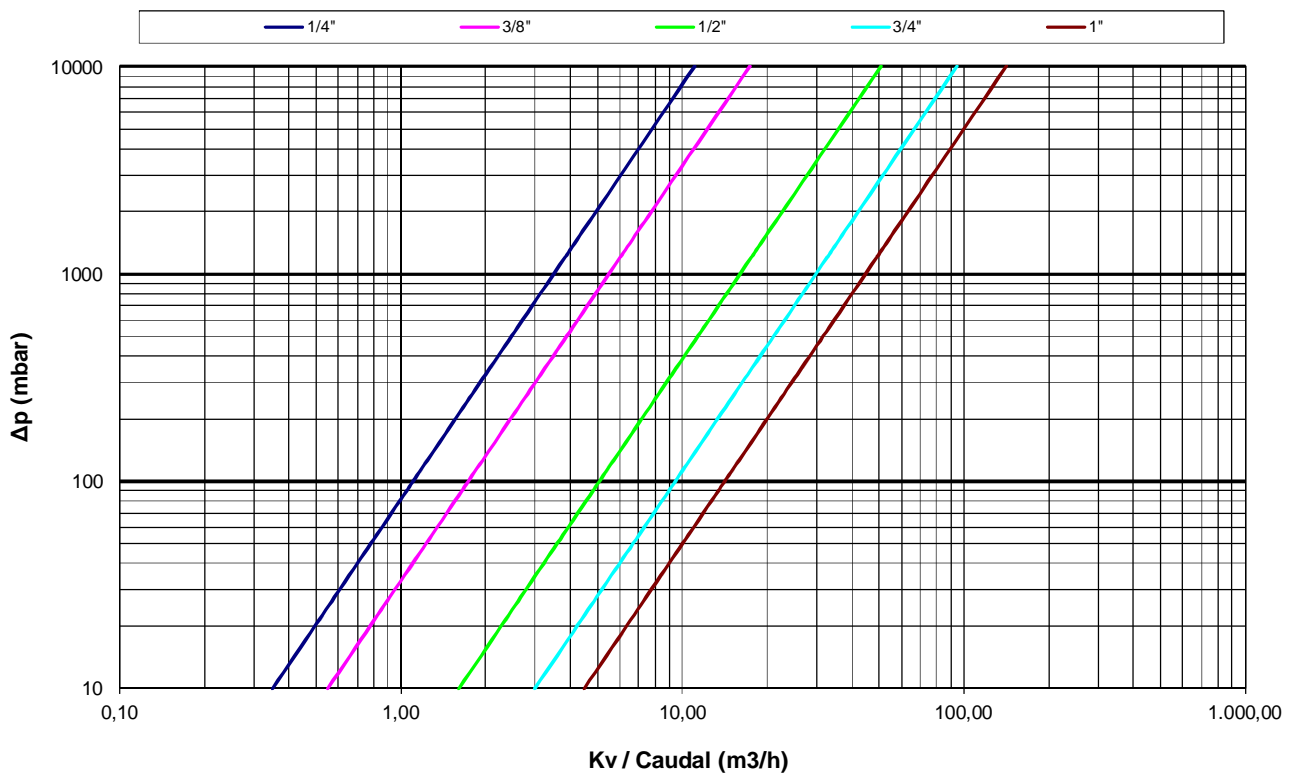
(Válvulas paso total roscadas / Threaded ends full bore ball valves)

Valores de Kv / Kv Values:

Kv = Es la cantidad de metros cúbicos por hora que pasará a través de la válvula generando una pérdida de carga de 1 bar.

Kv = The flow rate of water in cubic meters per hour that will generate a pressure drop of 1 bar across the valve.

| Medida / Size | 1/4" | 3/8" | 1/2" | 3/4" | 1" |
|---------------|------|------|------|------|----|
| Kv | 3.5 | 5.5 | 16 | 30 | 45 |



CURVA PRESIÓN - TEMPERATURA / PRESSURE - TEMPERATURE RATING

