

## ARTICULO: 2252

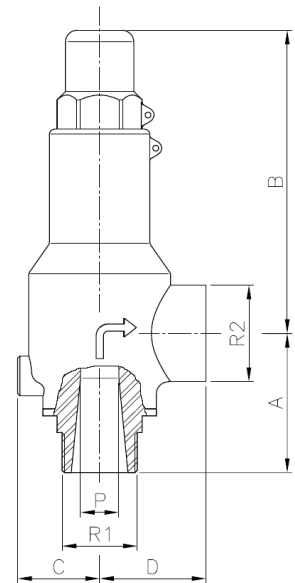
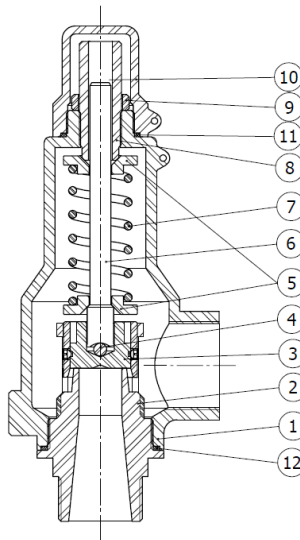
### Válvula de seguridad roscada, acero inoxidable Stainless steel safety valve with threads

#### Características

1. Válvula de seguridad para uso en gas o vapor.
2. Extremos roscados Gas (BSP) M-H según ISO 228/1.
3. Diseño, cálculo y control según normas EN 12516 y EN ISO 4126-1/7.
4. Construcción en acero inoxidable 1.4408 (CF8M).
5. Muelle de acero inoxidable AISI 302 (hasta 250 °C). Consultar material para uso a mayor temperatura.
6. Asiento y disco de acero inoxidable AISI 316.
7. Gran capacidad de descarga.
8. Presión de tarado ajustada a la presión solicitada (desde 0,5 hasta 40 bar) con precinto de garantía.
9. Presión de trabajo máxima 40 bar.
10. Temperatura de trabajo -20 °C +300 °C.

#### Features

1. Safety valve for gas or steam applications.
2. Thread ends Gas (BSP) M-F acc. to ISO 228/1.
3. Design, calculations and control according to EN 12516 and EN ISO 4126-1/7.
4. Made of stainless steel 1.4408 (CF8M).
5. Spring in Stainless Steel AISI 302 (until 250 °C). Other material for higher temperature on demand.
6. Seat and disc in Stainless Steel AISI 316.
7. High discharge capacity.
8. Set pressure adjusted on demand (0,5 to 40 bar) with guarantee seal.
9. Max. working pressure 40 bar.
10. Working Temperature -20 °C +300 °C.

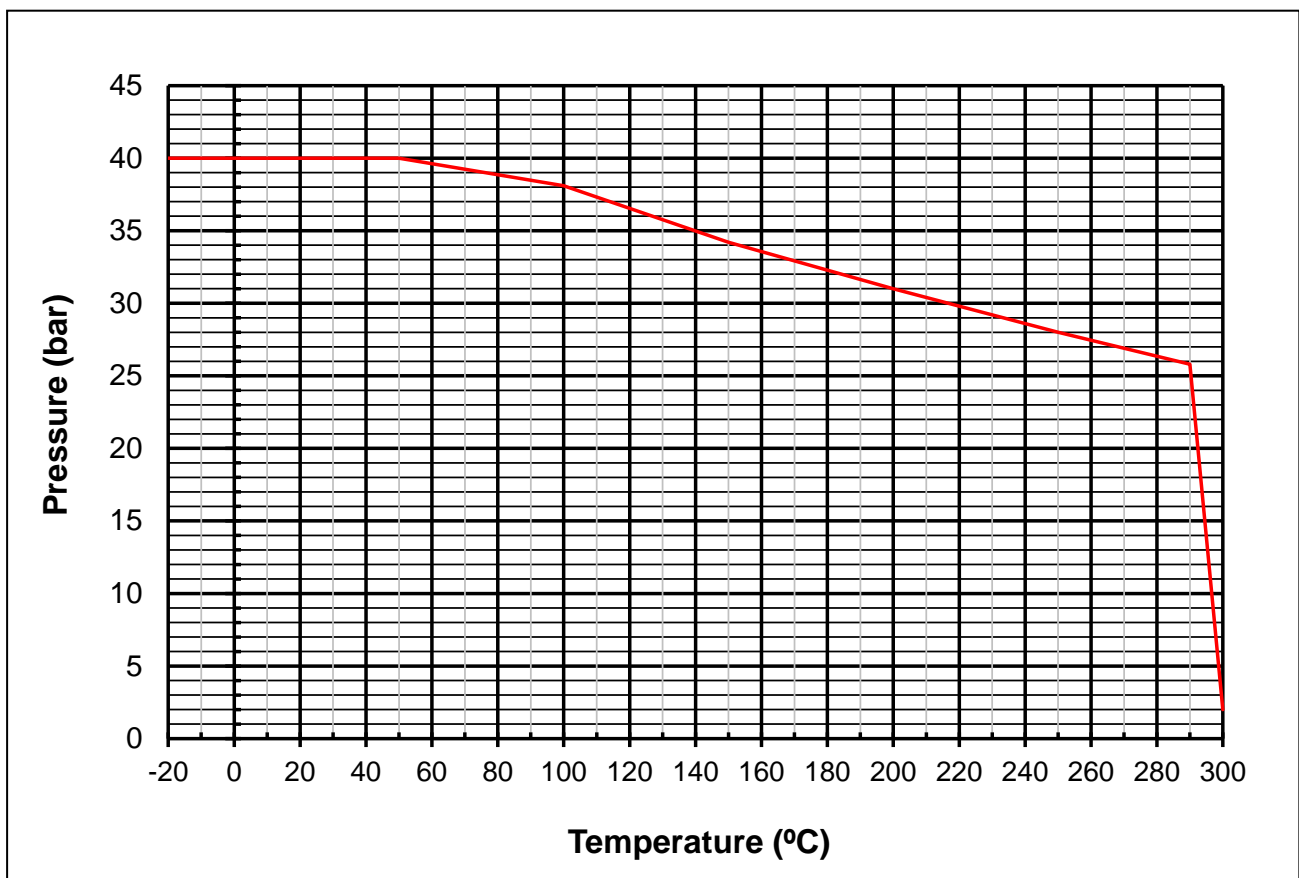


| Nº | Denominación / Name | Material                               | Acabado Superficial / Surface Treatment | Cód. Recambio Spare Part Code |
|----|---------------------|----------------------------------------|-----------------------------------------|-------------------------------|
| 1  | Cuerpo / Body       | Acero Inox. / Stainless Steel 1.4408   | Granallado / Shot blasting              | -----                         |
| 2  | Tapa / Cap          | Acero Inox. / Stainless Steel 1.4408   | Granallado / Shot blasting              | -----                         |
| 3  | Asiento / Seat      | Acero Inox. / Stainless Steel 1.4408   | Lapeado / Grinding                      | -----                         |
| 4  | Bola / Ball         | Acero Inox. / Stainless Steel AISI 316 | -----                                   | -----                         |
| 5  | Guía / Guide        | Acero Inox. / Stainless Steel AISI 316 | -----                                   | -----                         |
| 6  | Eje / Stem          | Acero Inox. / Stainless Steel AISI 316 | -----                                   | -----                         |
| 7  | Muelle / Spring     | Acero Inox. / Stainless Steel AISI 302 | -----                                   | -----                         |
| 8  | Tornillo / Screw    | Acero Inox. / Stainless Steel 1.4408   | -----                                   | -----                         |
| 9  | Tuerca / Nut        | Acero Inox. / Stainless Steel AISI 316 | -----                                   | -----                         |
| 10 | Caperuza / Cap      | Acero Inox. / Stainless Steel 1.4408   | Granallado / Shot blasting              | -----                         |
| 11 | Junta/ Gasket       | PTFE                                   | -----                                   | -----                         |
| 12 | Junta/ Gasket       | PTFE                                   | -----                                   | -----                         |

## DIMENSIONES GENERALES / GENERAL DIMENSIONS

| Ref        | R1     | R2     | P<br>(orifice) | PN | Dimensiones / Dimensions (mm) |     |    |    | Peso /<br>Weight<br>(Kg) |
|------------|--------|--------|----------------|----|-------------------------------|-----|----|----|--------------------------|
|            |        |        |                |    | A                             | B   | C  | D  |                          |
| 2252 04 06 | 1/2"   | 1"     | 13             | 40 | 59                            | 129 | 35 | 45 | 1,360                    |
| 2252 05 06 | 3/4"   | 1"     | 14             | 40 | 59                            | 129 | 35 | 45 | 1,360                    |
| 2252 06 06 | 1"     | 1"     | 16             | 40 | 59                            | 129 | 35 | 45 | 1,360                    |
| 2252 06 07 | 1"     | 1 1/4" | 16             | 40 | 62                            | 125 | 35 | 45 | 1,490                    |
| 2252 07 07 | 1 1/4" | 1 1/4" | 20             | 40 | 65                            | 125 | 35 | 45 | 1,535                    |
| 2252 08 09 | 1 1/2" | 2"     | 28             | 40 | 81                            | 206 | 46 | 65 | 3,710                    |
| 2252 09 09 | 2"     | 2"     | 32             | 40 | 83                            | 206 | 46 | 65 | 3,782                    |

## CURVA PRESIÓN TEMPERATURA / PRESSURE TEMPERATURE RATING



## Capacidad de descarga / *Discharge capacity:*

### AIRE / AIR

Caudal / *Flow capacity (Kg/h).*

Temperatura / *Temperature 20°C.*

Sobrepresión / *Overpressure 10%.*

Cálculos / *Calculation according to EN ISO 4126-7.*

| Presión manométrica /<br><i>Set Pressure</i><br>barg (P <sub>0</sub> -P <sub>b</sub> ) | Diámetro orificio / <i>Orifice diameter</i> |                 |               |                   |                   |               |
|----------------------------------------------------------------------------------------|---------------------------------------------|-----------------|---------------|-------------------|-------------------|---------------|
|                                                                                        | 13 mm<br>(1/2")                             | 14 mm<br>(3/4") | 16 mm<br>(1") | 20 mm<br>(1 1/4") | 28 mm<br>(1 1/2") | 32 mm<br>(2") |
| 0,5                                                                                    | 91                                          | 106             | 138           | 216               | 424               | 554           |
| 1                                                                                      | 122                                         | 141             | 184           | 288               | 565               | 738           |
| 1,5                                                                                    | 152                                         | 177             | 231           | 360               | 706               | 923           |
| 2                                                                                      | 183                                         | 212             | 277           | 432               | 848               | 1107          |
| 2,5                                                                                    | 213                                         | 247             | 323           | 505               | 989               | 1292          |
| 3                                                                                      | 244                                         | 282             | 369           | 577               | 1130              | 1476          |
| 3,5                                                                                    | 274                                         | 318             | 415           | 649               | 1271              | 1661          |
| 4                                                                                      | 304                                         | 353             | 461           | 721               | 1413              | 1845          |
| 4,5                                                                                    | 335                                         | 388             | 507           | 793               | 1554              | 2030          |
| 5                                                                                      | 365                                         | 424             | 553           | 865               | 1695              | 2214          |
| 5,5                                                                                    | 396                                         | 459             | 599           | 937               | 1837              | 2399          |
| 6                                                                                      | 426                                         | 494             | 646           | 1009              | 1978              | 2583          |
| 6,5                                                                                    | 457                                         | 530             | 692           | 1081              | 2119              | 2768          |
| 7                                                                                      | 487                                         | 565             | 738           | 1153              | 2260              | 2952          |
| 7,5                                                                                    | 517                                         | 600             | 784           | 1225              | 2402              | 3137          |
| 8                                                                                      | 548                                         | 635             | 830           | 1297              | 2543              | 3321          |
| 8,5                                                                                    | 578                                         | 671             | 876           | 1370              | 2684              | 3506          |
| 9                                                                                      | 609                                         | 706             | 922           | 1442              | 2826              | 3690          |
| 9,5                                                                                    | 639                                         | 741             | 968           | 1514              | 2967              | 3875          |
| 10                                                                                     | 670                                         | 777             | 1014          | 1586              | 3108              | 4060          |
| 11                                                                                     | 731                                         | 847             | 1107          | 1730              | 3391              | 4429          |
| 12                                                                                     | 791                                         | 918             | 1199          | 1874              | 3673              | 4798          |
| 13                                                                                     | 852                                         | 988             | 1291          | 2018              | 3956              | 5167          |
| 14                                                                                     | 913                                         | 1059            | 1383          | 2162              | 4238              | 5536          |
| 15                                                                                     | 974                                         | 1130            | 1475          | 2307              | 4521              | 5905          |
| 16                                                                                     | 1035                                        | 1200            | 1568          | 2451              | 4803              | 6274          |
| 17                                                                                     | 1096                                        | 1271            | 1660          | 2595              | 5086              | 6643          |
| 18                                                                                     | 1157                                        | 1341            | 1752          | 2739              | 5368              | 7012          |
| 19                                                                                     | 1218                                        | 1412            | 1844          | 2883              | 5651              | 7381          |
| 20                                                                                     | 1278                                        | 1483            | 1937          | 3027              | 5934              | 7750          |
| 21                                                                                     | 1339                                        | 1553            | 2029          | 3172              | 6216              | 8119          |
| 22                                                                                     | 1400                                        | 1624            | 2121          | 3316              | 6499              | 8488          |
| 23                                                                                     | 1461                                        | 1695            | 2213          | 3460              | 6781              | 8857          |
| 24                                                                                     | 1522                                        | 1765            | 2305          | 3604              | 7064              | 9226          |
| 25                                                                                     | 1583                                        | 1836            | 2398          | 3748              | 7346              | 9595          |
| 26                                                                                     | 1644                                        | 1906            | 2490          | 3892              | 7629              | 9964          |
| 27                                                                                     | 1705                                        | 1977            | 2582          | 4036              | 7911              | 10333         |
| 28                                                                                     | 1765                                        | 2048            | 2674          | 4181              | 8194              | 10702         |
| 29                                                                                     | 1826                                        | 2118            | 2767          | 4325              | 8477              | 11071         |
| 30                                                                                     | 1887                                        | 2189            | 2859          | 4469              | 8759              | 11440         |

|    |      |      |      |      |       |       |
|----|------|------|------|------|-------|-------|
| 31 | 1948 | 2259 | 2951 | 4613 | 9042  | 11810 |
| 32 | 2009 | 2330 | 3043 | 4757 | 9324  | 12179 |
| 33 | 2070 | 2401 | 3135 | 4901 | 9607  | 12548 |
| 34 | 2131 | 2471 | 3228 | 5046 | 9889  | 12917 |
| 35 | 2192 | 2542 | 3320 | 5190 | 10172 | 13286 |
| 36 | 2252 | 2612 | 3412 | 5334 | 10454 | 13655 |
| 37 | 2313 | 2683 | 3504 | 5478 | 10737 | 14024 |
| 38 | 2374 | 2754 | 3596 | 5622 | 11020 | 14393 |
| 39 | 2435 | 2824 | 3689 | 5766 | 11302 | 14762 |
| 40 | 2496 | 2895 | 3781 | 5911 | 11585 | 15131 |

## VAPOR SATURADO / SATURATED STEAM

Caudal / Flow capacity (Kg/h).

Sobrepresión / Overpressure 10%.

Cálculos / Calculation according to EN ISO 4126-7.

| Presión manométrica /<br>Set Pressure<br>barg (P <sub>0</sub> -P <sub>b</sub> ) | Diámetro orificio / Orifice diameter |                 |               |                   |                   |               |
|---------------------------------------------------------------------------------|--------------------------------------|-----------------|---------------|-------------------|-------------------|---------------|
|                                                                                 | 13 mm<br>(1/2")                      | 14 mm<br>(3/4") | 16 mm<br>(1") | 20 mm<br>(1 1/4") | 28 mm<br>(1 1/2") | 32 mm<br>(2") |
| 0,5                                                                             | 56                                   | 65              | 85            | 133               | 261               | 341           |
| 1                                                                               | 74                                   | 86              | 113           | 176               | 345               | 451           |
| 1,5                                                                             | 92                                   | 107             | 140           | 219               | 428               | 559           |
| 2                                                                               | 110                                  | 128             | 167           | 261               | 511               | 667           |
| 2,5                                                                             | 136                                  | 158             | 206           | 322               | 632               | 825           |
| 3                                                                               | 141                                  | 164             | 214           | 334               | 655               | 856           |
| 3,5                                                                             | 163                                  | 189             | 247           | 386               | 757               | 989           |
| 4                                                                               | 181                                  | 210             | 274           | 428               | 839               | 1095          |
| 4,5                                                                             | 198                                  | 230             | 300           | 469               | 920               | 1202          |
| 5                                                                               | 216                                  | 250             | 327           | 511               | 1001              | 1308          |
| 5,5                                                                             | 233                                  | 270             | 353           | 552               | 1082              | 1414          |
| 6                                                                               | 251                                  | 291             | 380           | 593               | 1163              | 1519          |
| 6,5                                                                             | 268                                  | 311             | 406           | 635               | 1244              | 1625          |
| 7                                                                               | 285                                  | 331             | 432           | 676               | 1325              | 1730          |
| 7,5                                                                             | 303                                  | 351             | 459           | 717               | 1405              | 1836          |
| 8                                                                               | 320                                  | 371             | 485           | 758               | 1486              | 1941          |
| 8,5                                                                             | 338                                  | 391             | 511           | 799               | 1567              | 2046          |
| 9                                                                               | 355                                  | 412             | 538           | 840               | 1647              | 2151          |
| 9,5                                                                             | 372                                  | 432             | 564           | 881               | 1728              | 2256          |
| 10                                                                              | 390                                  | 452             | 590           | 922               | 1808              | 2361          |
| 11                                                                              | 424                                  | 492             | 643           | 1004              | 1969              | 2571          |
| 12                                                                              | 459                                  | 532             | 695           | 1086              | 2129              | 2781          |
| 13                                                                              | 493                                  | 572             | 747           | 1168              | 2290              | 2991          |
| 14                                                                              | 528                                  | 612             | 800           | 1250              | 2451              | 3201          |
| 15                                                                              | 563                                  | 652             | 852           | 1332              | 2611              | 3410          |
| 16                                                                              | 597                                  | 693             | 905           | 1414              | 2772              | 3620          |
| 17                                                                              | 632                                  | 733             | 957           | 1496              | 2933              | 3830          |
| 18                                                                              | 667                                  | 773             | 1010          | 1578              | 3093              | 4040          |
| 19                                                                              | 701                                  | 813             | 1062          | 1660              | 3254              | 4251          |

|    |      |      |      |      |      |      |
|----|------|------|------|------|------|------|
| 20 | 736  | 853  | 1115 | 1743 | 3415 | 4461 |
| 21 | 771  | 894  | 1167 | 1825 | 3577 | 4671 |
| 22 | 805  | 934  | 1220 | 1907 | 3738 | 4882 |
| 23 | 840  | 974  | 1273 | 1989 | 3899 | 5093 |
| 24 | 875  | 1015 | 1325 | 2072 | 4061 | 5304 |
| 25 | 910  | 1055 | 1378 | 2154 | 4223 | 5515 |
| 26 | 945  | 1096 | 1431 | 2237 | 4385 | 5727 |
| 27 | 980  | 1136 | 1484 | 2320 | 4547 | 5939 |
| 28 | 1015 | 1177 | 1537 | 2403 | 4709 | 6151 |
| 29 | 1050 | 1217 | 1590 | 2486 | 4872 | 6363 |
| 30 | 1085 | 1258 | 1643 | 2569 | 5034 | 6576 |
| 31 | 1120 | 1299 | 1696 | 2652 | 5197 | 6788 |
| 32 | 1155 | 1340 | 1750 | 2735 | 5361 | 7002 |
| 33 | 1190 | 1380 | 1803 | 2818 | 5524 | 7215 |
| 34 | 1225 | 1421 | 1856 | 2902 | 5688 | 7429 |
| 35 | 1261 | 1462 | 1910 | 2986 | 5852 | 7643 |
| 36 | 1296 | 1503 | 1963 | 3069 | 6016 | 7857 |
| 37 | 1332 | 1544 | 2017 | 3153 | 6180 | 8072 |
| 38 | 1367 | 1585 | 2071 | 3237 | 6345 | 8287 |
| 39 | 1403 | 1627 | 2125 | 3321 | 6510 | 8503 |
| 40 | 1438 | 1668 | 2179 | 3406 | 6675 | 8719 |