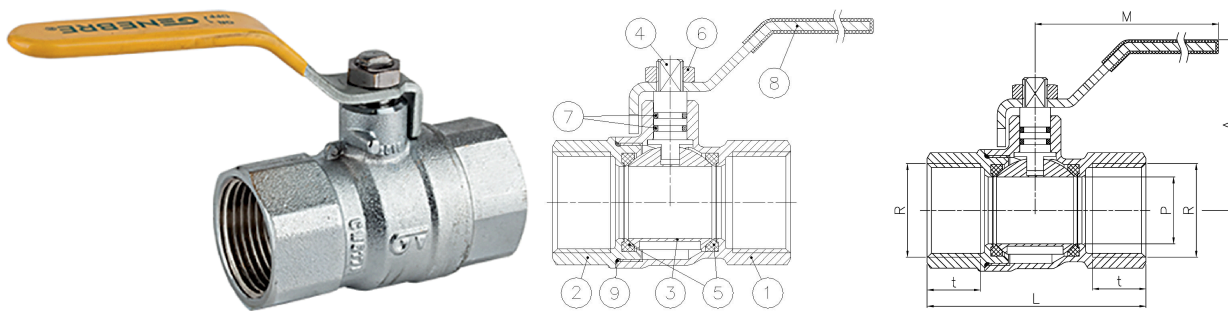


Ref: **3500**

Ball straight valve for gas, F-F

Features

1. Brass construction in accordance with UNE-EN 12164 – 12165
2. Chrome-plated surface finish
3. NBR seals in accordance with EN 549
4. PTFE seats
5. ISO 7/1 female threaded ends (EN 10226-1)
6. Guaranteed for use with natural gas
7. Pressure class MOP 5 (0 to 5 bar)
8. Operating temperature: -20°C to 60°C
9. Valves can be locked (in the closed position) and sealed
10. Spindle with double NBR O-ring seal
11. Sealable steel lever handle with DACROMET® coating
12. Body and cover sealed with adhesive and an O-ring
13. Specifications in accordance with the UNE-EN 331 standard.



No.	Name	Material	Surface Finish
1	Body	Brass	Shot blasting + Chrome plating
2	Cover	Brass	Shot blasting + Chrome plating
3	Sphere	Brass	Chrome-plated
4	Axis	Brass	Chrome-plated
5	Seats	PTFE	-
6	Nut	Brass	Chrome-plated
7	O-ring seal	NBR	-
8	Handle	Steel	Dacromet®
9	O-ring seal	NBR	-

Ref.	Measure	Dimensions (mm)					Weight (kg)
		P	L	A	M	t	
3500 04	1/2"	15	58	47	83	15,5	0.189
3500 05	3/4"	20	65	58	97	16,5	0.303
3500 06	1"	25	78	60,5	97	19,5	0.458
3500 07	1 1/4"	32	88	74	125	20	0.716