

Ref: **3029**

Ball valve

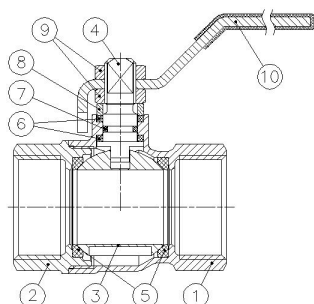


Features

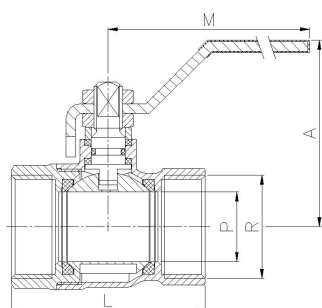
1. Full-bore ball valve
2. Chrome-plated brass construction to UNE-EN 12165
3. Gas thread (BSP) H-H ends in accordance with ISO 228/1
4. Operated by a steel lever
5. Operating temperature range: -20°C to 110°C
6. Maximum working pressure 25 bar (PN 25)
7. PTFE seats
8. WRAS-certified product
9. ACS-certified product
10. Complies with Directive 2020/2184/EU. Quality of water intended for human consumption.
11. Complies with RD03/2023. Criteria for the quality of water intended for human consumption.



No.	Name	Material	Surface finish
1	Body	Brass (CW617N)	Shot blasting + Chrome plating
2	Cover	Brass (CW617N)	Shot blasting + Chrome plating
3	Sphere	Brass (CW617N)	Chrome-plated
4	Axis	Brass (CW617N)	Chrome-plated
5	Seats	PTFE	-
6	Press ring	PTFE	-
7	O-ring	NBR	-
8	Press ring	Brass	Chrome-plated
9	Nut	Brass	Chrome-plated
10	Handle	Steel	Dacromet ®



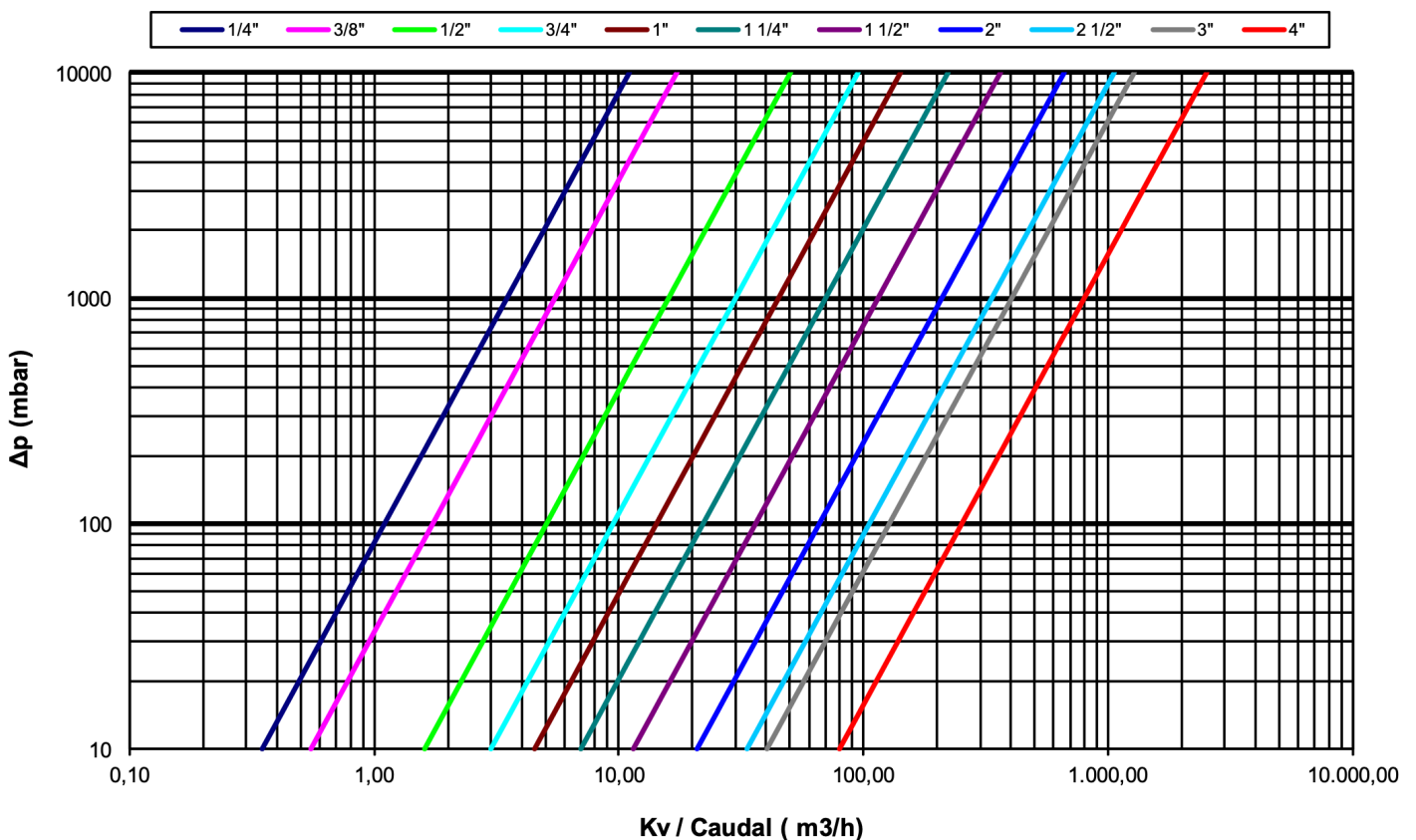
Ref.	Measure	Dimensions (mm)				Weight (kg)
		P	A	L	M	
3029 02	1/4"	10	46	40	84	0.106
3029 03	3/8"	10	46	43	84	0.112
3029 04	1/2"	15	47	49	84	0.152
3029 05	3/4"	20	58	56	98	0.266
3029 06	1"	25	61	68	98	0.388
3029 07	1 1/4"	32	74	80	126	0.6
3029 08	1 1/2"	40	80	89	126	0.826
3029 09	2"	50	91	104	158	1.314
3029 10	2 1/2"	59	101	137	158	2.418
3029 11	3"	72	131	158	196	3.85
3029 12	4"	90	145	183	265	6.074



PRESSURE DROP DIAGRAM (Full-bore threaded valves)

Measure	1/4"	3/8"	1/2"	3/4"	1"	1 1/4"	1 1/2"	2"	2 1/2"	3"	4"
kV	3.5	5.5	16	30	45	70	115	210	335	405	

Kv = The number of cubic metres per hour that will pass through the valve, resulting in a pressure drop of 1 bar.



PRESSURE-TEMPERATURE CURVE

