

GRAB BARS **GW11 10 04 01 Straight bar anchorages left**



Product description

Three anchorages bar

AISI 304 stainless steel tube of 32 mm diameter and 1.5 mm of thickness

Zinc-plated carbon steel mounting flanges with anticorrosion treatment with 2.5 mm of thickness and snap flange covers

Brushed finish

Anti-vandalism product. Heavy duty.

Technical specifications:

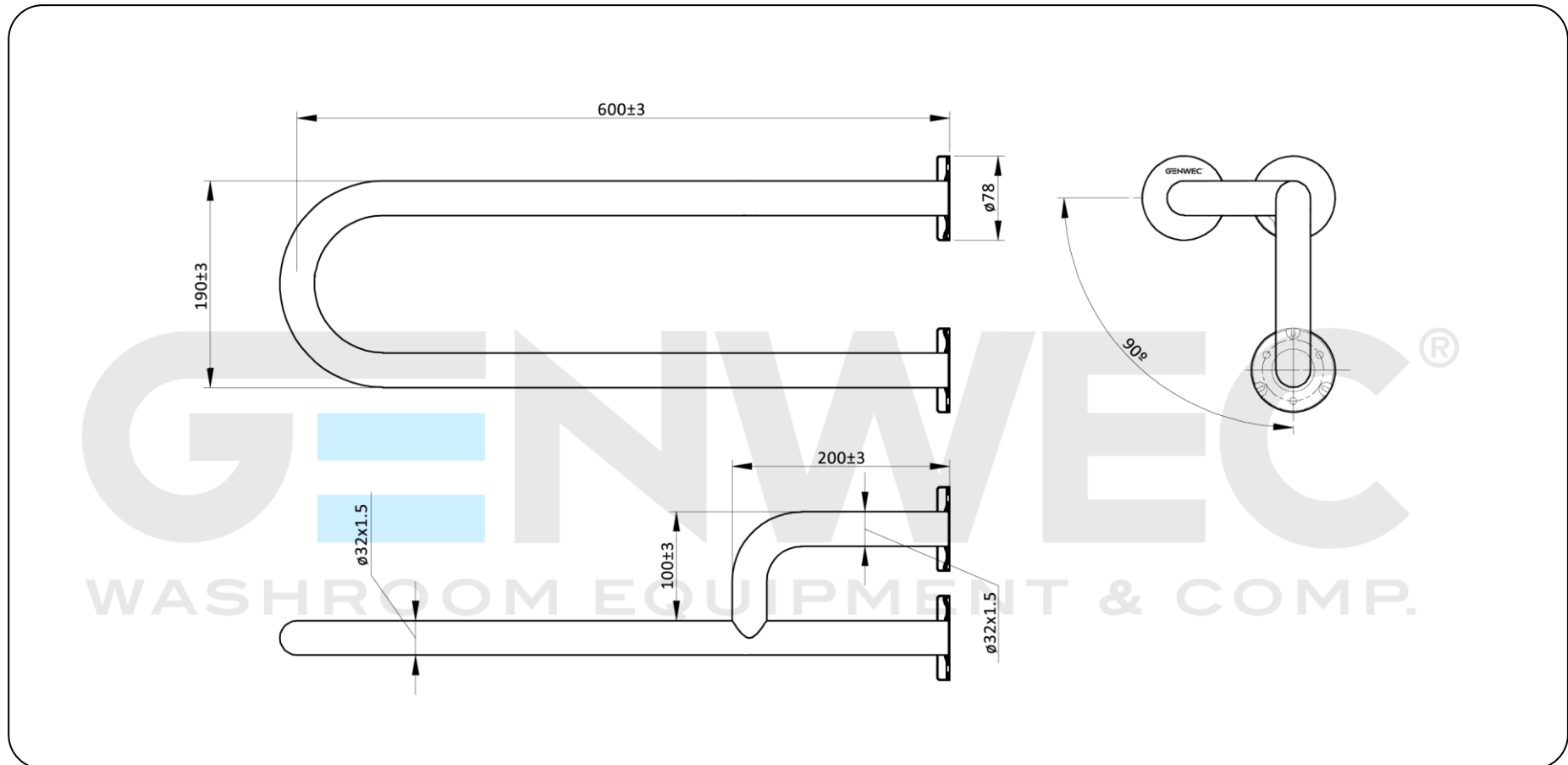
No built-in angle bar with three points of support located on the endings. The bar consists of an AISI 304 stainless steel tube with 32 mm of diameter and 1.5 mm of thickness. The tube is bended on "U" shape for main part and "L" shape on the left. The three mounting flanges are made of zinc-plated stainless steel plate with anticorrosion treatment of 2.5 mm of thickness and 77,5 mm of diameter. Mounting flanges have three holes for wall attachment and snap flange covers with 0.5 mm of thickness. The brushed stainless steel assembled unit has suitable resistance to corrosion. The bar is fixed to the wall by means of 9 nylon wall plugs (8X50) and AISI304 stainless steel screws (5X60). Grab bar will support loads in excess of 120Kg if properly installed. The grab bar code is GW11 10 04 01 manufactured by GENWEC WASHROOM S.L. – Av. Joan Carles I, 46-48 ES 08908 L'Hospitalet de Llobregat, Barcelona (Spain)

Technical characteristics

Product specifications

- AISI 304 stainless steel tubing with $\varnothing 32$ mm and 1,5 mm of thickness.
- Zinc-plated carbon steel mounting flanges with 2.5 mm of thickness.
- Zinc-plated carbon steel snap flange covers with 0.5 mm of thickness.
- Brushed finish.
- Grab bar supports 120 Kg if properly fixed.

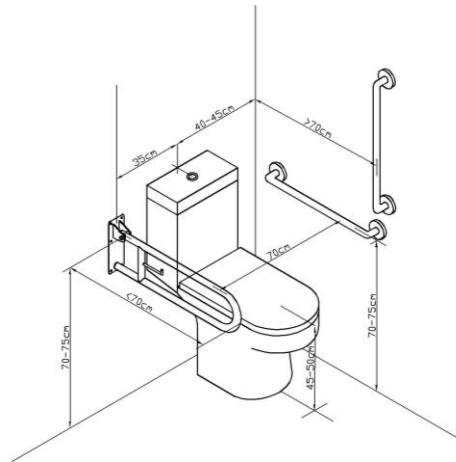
GRAB BARS **GW11 10 04 01 Straight bar anchorages left**



Cleaning: A cotton cloth slightly dampened in a soapy solution is recommended. Then dry off.

GRAB BARS **GW11 10 04 01 Straight bar anchorages left**

Installation advice



Electrical isolation:

GENWEC WASHROOM, S.L. has electrical isolation kits for all grab bars manufactured in stainless steel. The kit code for straight bars is GW11 01 90 00.



WASHROOM EQUIPMENT & COMP.