



Product description

Manual Emergency Shower and Eyes-Washing
Anti-lime chromed brass sprayer
Eyes-washing in AISI 304 stainless steel
Green emergency epoxy finishing.
Automatic flow-rate reducer
Footboard and manually opening.

Technical specifications:

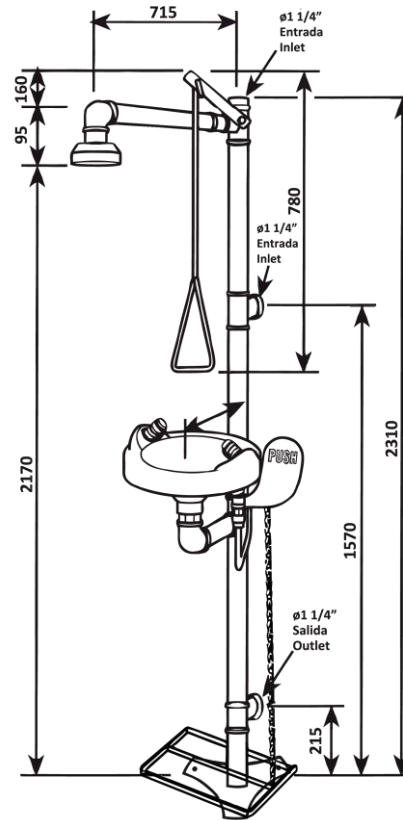
Manual Emergency Shower and Eyes-Washing. The product composes of an emergency shower and an eyes-washing. The emergency shower composes of a zincated steel base and a chromed brass sprayer located on the top. The emergency shower consists on a zincated steel base with a sprayer on the top. The chromed brass sprayer has a flow-rate valve on the top. The flow-rate valve is made of zincated steel with a handle for activation. Automatic drain of the shower is 120 l/min. at 1 bar. The stainless steel eyes-washing is supported on the shower. The spigots are made of chromed brass tube and are located on the top of the eye-washing. The water supply must ensure a minimum flow of eyes-washing of 6l/min. at a pressure of 2 bar for 15 minutes. The eye-washing supplies a flow of 11 l/min. under pressures from 1 to 9 bar. The set has a green emergency epoxy finishing. The product is fixed to the floor with 3 screws located on the base. The product code is GW12 05 04 05, manufactured by GENWEC WASHROOM, S.L. - www.genwec.com

Technical characteristics

Product specifications

Base made of zincated steel
Sprayer made of anti-lime chrome brass
Eyes-washing made of AISI 304 stainless steel
Automatic flow-rate reducer
Green emergency epoxy finishing.

EYE WASHERS AND EMERGENCY SHOWERS **GW12 05 04 05 Shower and eye washer combination**



Cleaning: A cotton cloth slightly dampened in a soapy solution is recommended. Then dry off. Do not use any strong chemicals or cleaning agents that can be dangerous to children

Use recommendations: The staff must be trained in the use of the shower and the eye-washing. The eye-washing must be checked every two days. The shower must be checked once a week.