



### Product description

Manual Emergency Shower and Eyes-Washing  
Anti-lime chrome brass sprayer  
Eyes-washing in high resistance ABS and anti-UV methacrylate.  
Green emergency epoxy finishing.  
Automatic flow-rate reducer  
Manually opening.

---

### Technical specifications:

Manual Emergency Shower and Eyes-Washing. The product composes of an emergency shower and an eyes-washing. The emergency shower composes of a zinced steel base and a chromed brass sprayer located on the top. The emergency shower consists on a zinced steel base with a sprayer on the top. The chromed brass sprayer has a flow-rate valve on the top. The flow-rate valve is made of zinced steel with a handle for activation. Automatic drain of the shower is 120 l/min. at 1 bar. The eyes-washing in high resistance ABS and anti-UV methacrylate is supported on the shower. The spigots are made of chromed brass tube and are located on the top of the eye-washing. The water supply must ensure a minimum flow of eyes-washing of 6l/min. at a pressure of 2 bar for 15 minutes. The eye-washing supplies a flow of 11 l/min. under pressures from 1 to 9 bar. The set has a green emergency epoxy finishing. The product is fixed to the floor with 3 screws located on the base. The product code is GW12 04 03 05, manufactured by GENWEC WASHROOM, S.L. - [www.genwec.com](http://www.genwec.com)

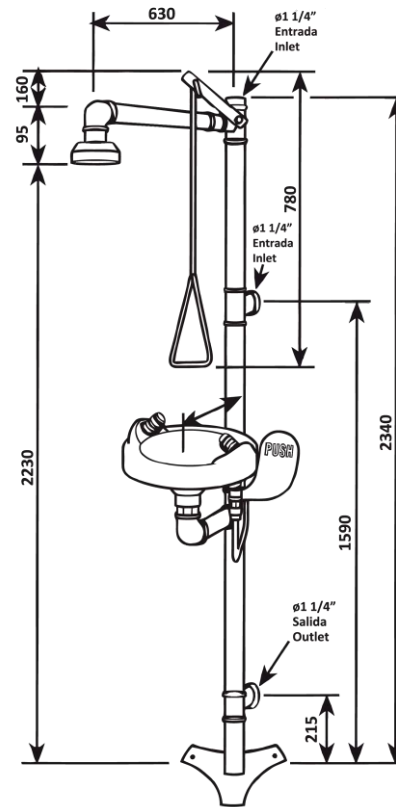
---

### Technical characteristics

#### Product specifications

Base made of zinced steel  
Sprayer made of anti-lime chrome brass  
Eyes-washing made of ABS and anti-UV methacrylate  
Automatic flow-rate reducer  
Green emergency epoxy finishing.

EYE WASHERS AND EMERGENCY SHOWERS **GW12 04 03 05 Shower and eye washer combination**



**Cleaning:** A cotton cloth slightly dampened in a soapy solution is recommended. Then dry off. Do not use any strong chemicals or cleaning agents that can be dangerous to children

**Use recommendations:** The staff must be trained in the use of the shower and the eye-washing. The eye-washing must be checked every two days. The shower must be checked once a week.