



Product description

Eyes-washing and support in AISI 304 stainless steel
Automatic flow-rate reducer
Operated by lateral push lever
Two spigots of low pressure ventilated water

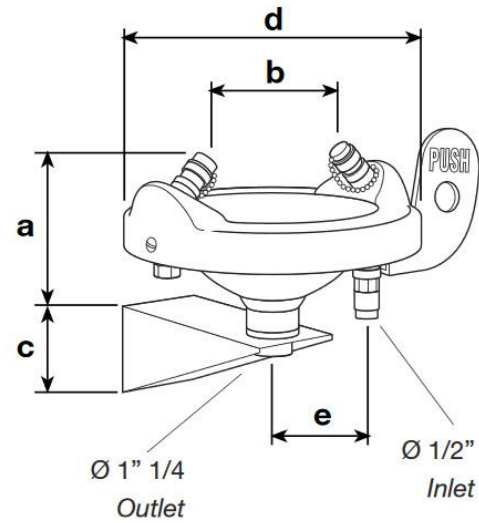
Technical specifications:

Wall mounted eyes-washing. The product composes of a wall support, a bowl and two spigots. The bowl and the spigots are located on the top of the stainless steel wall support. The support of the spigots is inside the bowl. The spigots and their support are made of chromed brass tube. The water supply must ensure a minimum flow of eyes-washing of 6l/min. at a pressure of 2 bar for 15 minutes. The eye-washing supplies a flow of 11 l/min. under pressures from 1 to 9 bar. Water inlet is $\phi 1/2''$ and outlet $\phi 1-1/4''$. The product is fixed to the wall with the support and should be positioned so that the spigots are located at a height between 80 and 115 cm. The product code is GW12 01 04 05, manufactured by GENWEC WASHROOM, S.L. - www.genwec.com

Product specifications

Stainless steel bowl and support.

Two spigots made of chromed brass tube.



A: 230 mm
B: 175 mm
C: 100 mm
D: 300 mm
E: 100 mm

Cleaning: A cotton cloth slightly dampened in a soapy solution is recommended. Then dry off. Do not use any strong chemicals or cleaning agents that can be dangerous to children

Use recommendations: The staff must be trained in the use of the eye-washing. The eye-washing must be checked every two days.