



Product description

Eyes-washing in high resistance ABS and anti-UV methacrylate with stainless steel support.
Automatic flow-rate reducer
Operated by lateral push lever
Green emergency epoxy finishing
Two spigots of low pressure ventilated water

Technical specifications:

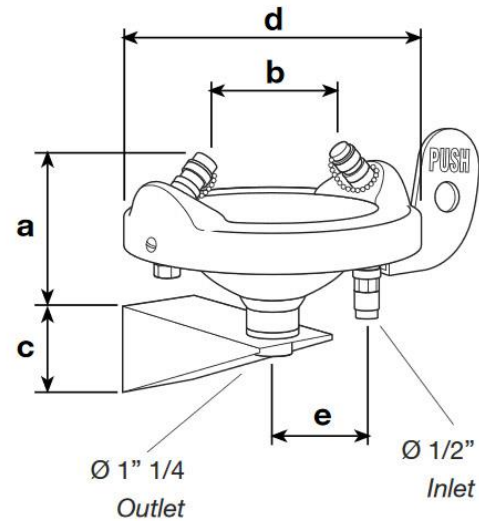
Wall mounted eyes-washing. The product composes of a wall support, a bowl and two spigots. The bowl and the spigots are located on the top of the stainless steel wall support. The support of the spigots is inside the anti-UV methacrylate bowl. The spigots and their support are made of chromed brass tube. The water supply must ensure a minimum flow of eyes-washing of 6l/min. at a pressure of 2 bar for 15 minutes. The eye-washing supplies a flow of 11 l/min. under pressures from 1 to 9 bar. The set has a green emergency epoxy finishing. Water inlet is $\varnothing 1/2''$ and outlet $\varnothing 1-1/4''$. The product is fixed to the wall with the support and should be positioned so that the spigots are located at a height between 80 and 115 cm. The product code is GW12 01 03 05, manufactured by GENWEC WASHROOM, S.L. - www.genwec.com

Product specifications

Stainless steel support.
ABS and anti-UV methacrylate bowl.
Two spigots made of chromed brass tube.
Green emergency epoxy finishing.

Packaging specifications

Package measures: 360 x 340 x 270 mm
Package weight: 3.5 kg
Carton units: 1



- A: 185 mm
- B: 180 mm
- C: 100 mm
- D: 300 mm
- E: 130 mm

Cleaning: A cotton cloth slightly dampened in a soapy solution is recommended. Then dry off. Do not use any strong chemicals or cleaning agents that can be dangerous to children

Use recommendations: The staff must be trained in the use of the eye-washing. The eye-washing must be checked every two days.