



Product description

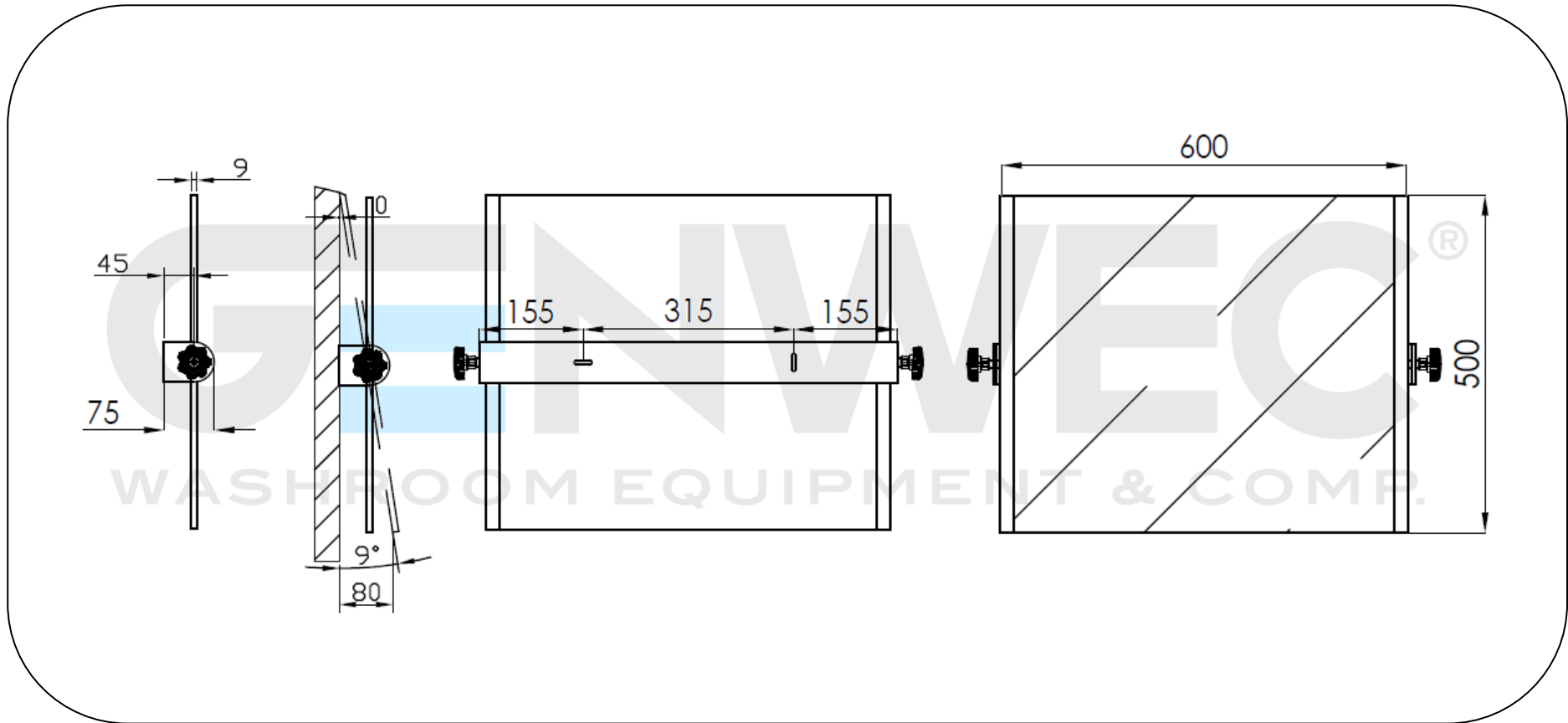
Mirror with aluminum frame
Measure 500x600 mm
White epoxy painted frame
Easy to tilt

Technical specifications:

Mirror with aluminum frame. The product consists of a main aluminum body which is designed to incorporate a mirror inside. The mirror, manufactured in sheet glass with a total thickness of 4mm, has an anti-fog factory coated protection on its opaque side. The aluminum structure has in its back side a profile that crosses horizontally the mirror and it's used to fix the mirror to the wall together with two screws. The structure has a white finishing with galvanized treatment which assures an optimal resistance to daily use. The total measures of the mirror are 500x600 mm. The mirror code is GW11.66.02.00 manufactured by GENWEC WASHROOM, S.L. - Av. Joan Carles I, 46-48- 08908 L'Hospitalet de Llobregat. www.genwec.com

Technical characteristics

- Main body manufactured in aluminum
- Mirror manufactured in sheet glass with a total thickness of 4 mm and anti-fog factory coating
- White finishing with galvanized treatment



Cleaning: A slightly wet cloth is recommended