



Product description

Shower folding seat
Structure material: AISI 304 stainless steel
Seat material: Phenol formaldehyde resin
Satin finish

Technical specifications:

The folding shower seat is manufactured in an AISI 304 stainless steel structure attached to a one-piece phenol formaldehyde resin seat. Its structure manufactured in AISI 304 stainless steel, 32 mm diameter, 1.5 mm thickness, is fixed to two wall supports manufactured in AISI 304 stainless steel, 3mm thickness. The structure turns 90° to the wall supports in order to be able to leave the seat in upright position. The seating surface screwed to the structure is made of high resistance phenol formaldehyde resin. The assembled unit has a satin finish, and its materials assure a correct maintenance and cleaning. The shower seat is fixed to the wall with 8 screws 8 x70mm and 8 nylon wall plugs 10x50 mm to support static loads of 227kg (500 lb). The total measures of the product are 190x493,2x451,4 mm. The shower seat code is GW11 23 11 00, manufactured by GENWEC WASHROOM S.L. - Av. Joan Carles I, 46-48 - ES08908 L'Hospitalet de Llobregat - Barcelona. www.genwec.com

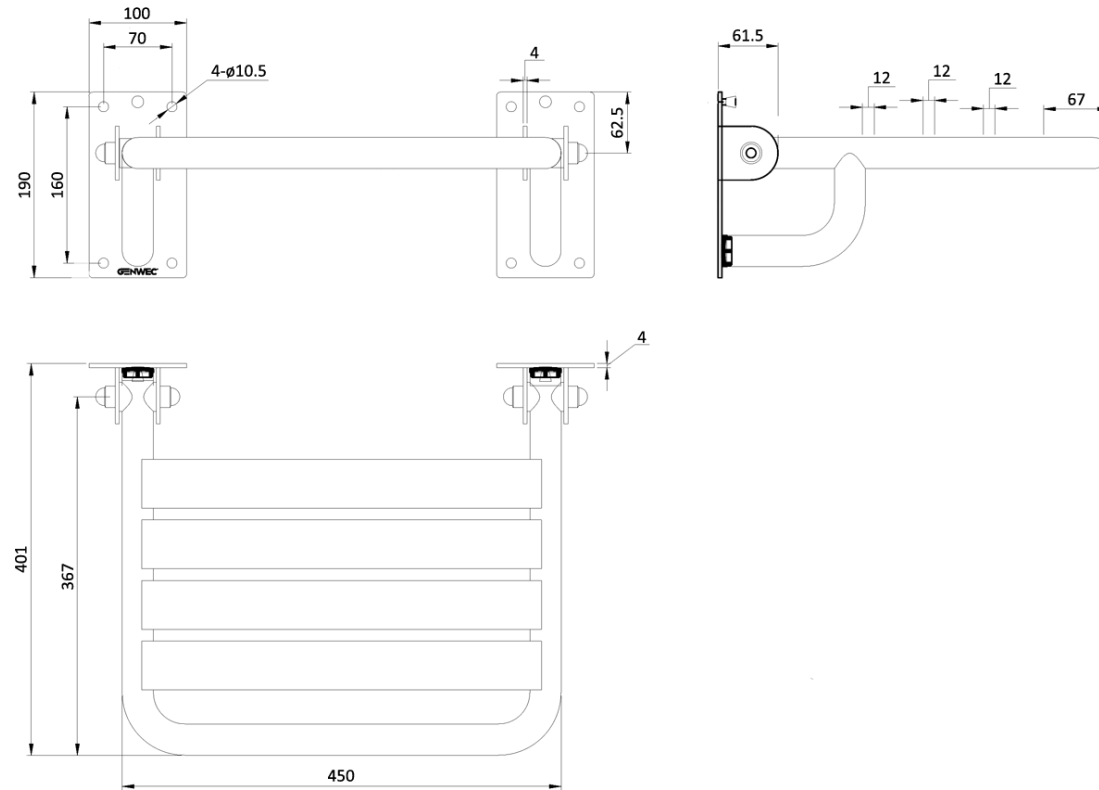
Technical characteristics

Product specifications

- Structure material: AISI 304 stainless steel
- Tube diameter: 32 mm. Tube thickness: 1.5 mm.
- Seat material: phenol formaldehyde resin
- Seat supports 227 Kg (500 lb) if properly fixed (1)

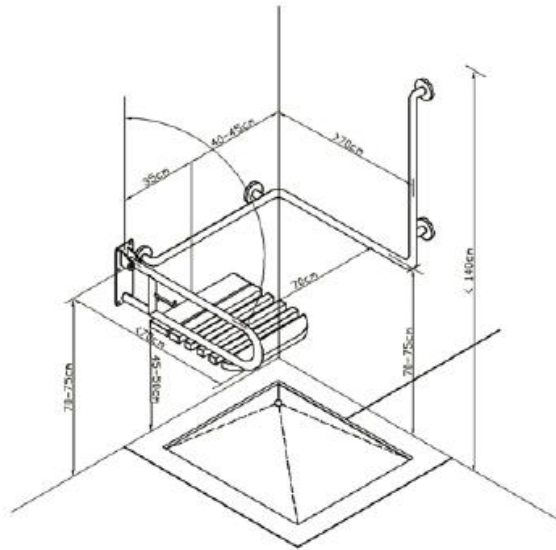
(1) *The static maximum load highly depends on the wall where the product will be installed. The maximum static load mentioned on the data sheet is considering installation with screws and wall plugs supplied and in brick wall.*

TECHNICAL MOBILITY SUPPORTS **GW11 23 11 00 Phenolic folding seat**



Cleaning: A cotton cloth slightly dampened in a soapy solution is recommended. Then dry off.

Installation recommendations



Electrical isolation

GENWEC WASHROOM has electrical isolation kits for all shower seats manufactured in steel. The kit code for related seat is GW11.01.90.02 (2 units).

