

## TECHNICAL MOBILITY SUPPORTS **GW11 23 03 00 White epoxy steel folding seat**



### **Product description**

Shower folding seat  
Structure material: Carbon steel  
Seat material: Carbon steel slats  
White epoxy finish

---

### **Technical specifications:**

The folding shower seat is manufactured in carbon steel structure screwed to the seating surface made of carbon steel slats. Its structure manufactured in carbon steel, 32 mm diameter, 1.5 mm thickness, is fixed to two wall supports manufactured in carbon steel, 3mm thickness. The structure turns 90° to the wall supports in order to be able to leave the seat in upright position. The assembled unit has a white epoxy painted finish and its materials assure a correct maintenance and cleaning. The shower seat is fixed to the wall with 8 screws 8 x70mm and 8 nylon wall plugs 10x50 mm to support static loads of 227 kg (500 lb). The total measures of the product are 190x493,2x451,4 mm. The shower seat code is GW11 23 03 00, manufactured by GENWEC WASHROOM S.L. - Av. Joan Carles I, 46-48 - c.p: 08908 L'Hospitalet de Llobregat - Barcelona. [www.genwec.com](http://www.genwec.com)

---

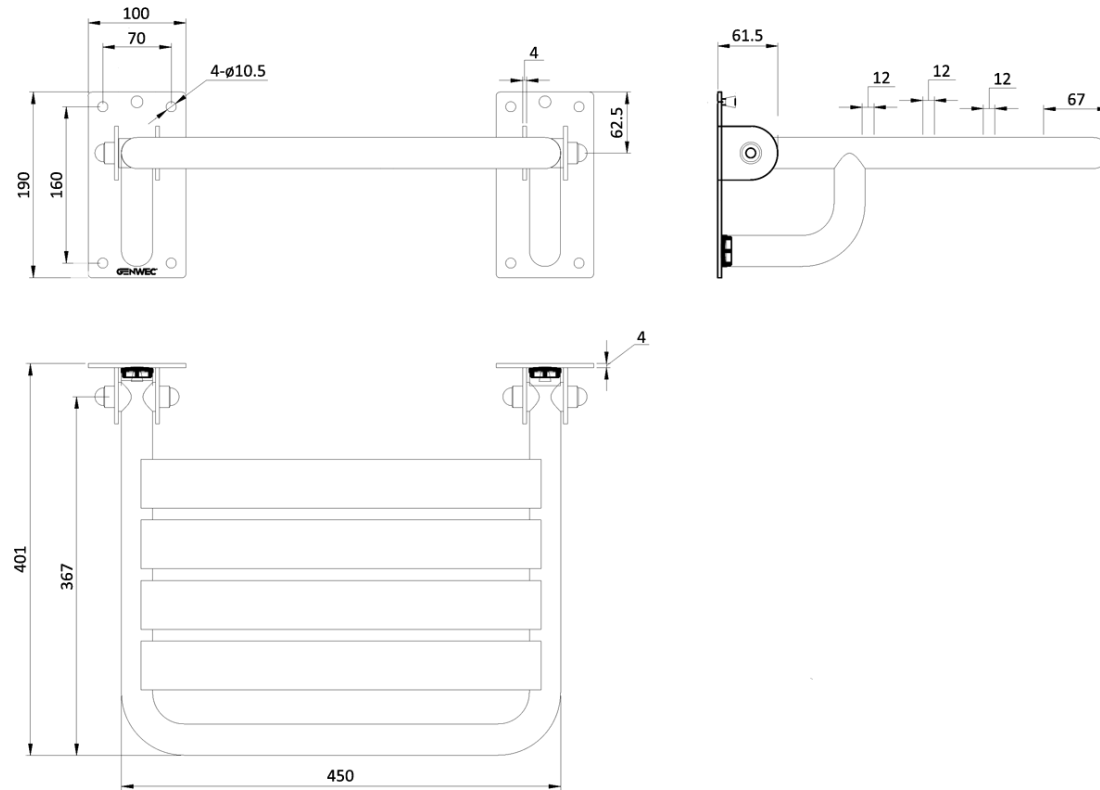
### **Technical characteristics**

#### **Product specifications**

- Structure material: Carbon steel
- Tube diameter: 32 mm. Tube thickness: 1.5 mm.
- Seat material: Carbon steel slats
- White epoxy finish
- Seat supports 227 Kg (500 lb) if properly fixed (1)

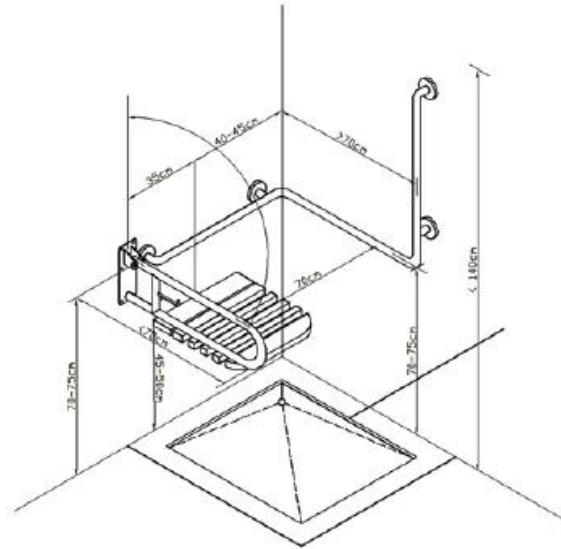
(1) *The static maximum load highly depends on the wall where the product will be installed. The maximum static load mentioned on the data sheet is considering installation with screws and wall plugs supplied and in brick wall.*

TECHNICAL MOBILITY SUPPORTS **GW11 23 03 00 White epoxy steel folding seat**



**Cleaning:** A cotton cloth slightly dampened in a soapy solution is recommended. Then dry off.

### Installation recommendations



### Electrical isolation

GENWEC WASHROOM has electrical isolation kits for all shower seats manufactured in steel. The kit code for related seat is GW11.01.90.02 (2 units).

