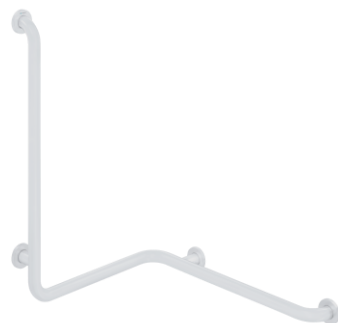


GRAB BARS

GW11 21 03 00 3-Sided Angled Wall Bar (Right side)

GENWEC[®]
WASHROOM EQUIPMENT & COMP.



Product description

3-sided angled bar with 4 points of support
AISI 304 stainless steel tube of 32 mm diameter and 1.5 mm of thickness
Zinc-plated carbon steel mounting flanges with anticorrosion treatment with 2.5 mm of thickness and snap flange covers
White epoxy finish
Anti-vandalism product. Heavy duty.

Technical specifications:

3-sided angled bar with 4 points of support. The tube has an outside diameter of 32 mm with a thickness of 1,5 mm. The mounting flanges are made of zinc-plated stainless-steel plate with anticorrosion treatment of 2.5 mm of thickness and 75 mm of diameter. The endings of the tube and the mounting flanges are threading M10. Mounting flanges have three holes for wall attachment and snap flange covers with 0.5 mm of thickness. The assembled unit has suitable resistance to corrosion. The grab bar is fixed to the wall by means of nylon wall plugs 8X50 and AISI 304 stainless steel screws 5X60. Grab bar will support loads in excess of 120Kg if properly installed. The total measures of the product are 762 x 459 x 612 mm. The grab bar code is GW11 21 03 00, manufactured by GENWEC WASHROOM S.L. - Av. Joan Carles I, 46-48 - ES 08908 L'Hospitalet de Llobregat – Barcelona (Spain). www.genwec.com

Technical characteristics

Product specifications

AISI 304 stainless steel tubing with \varnothing 32 mm and 1,5 mm of thickness.

Zinc-plated carbon steel mounting flanges with 2.5 mm of thickness.

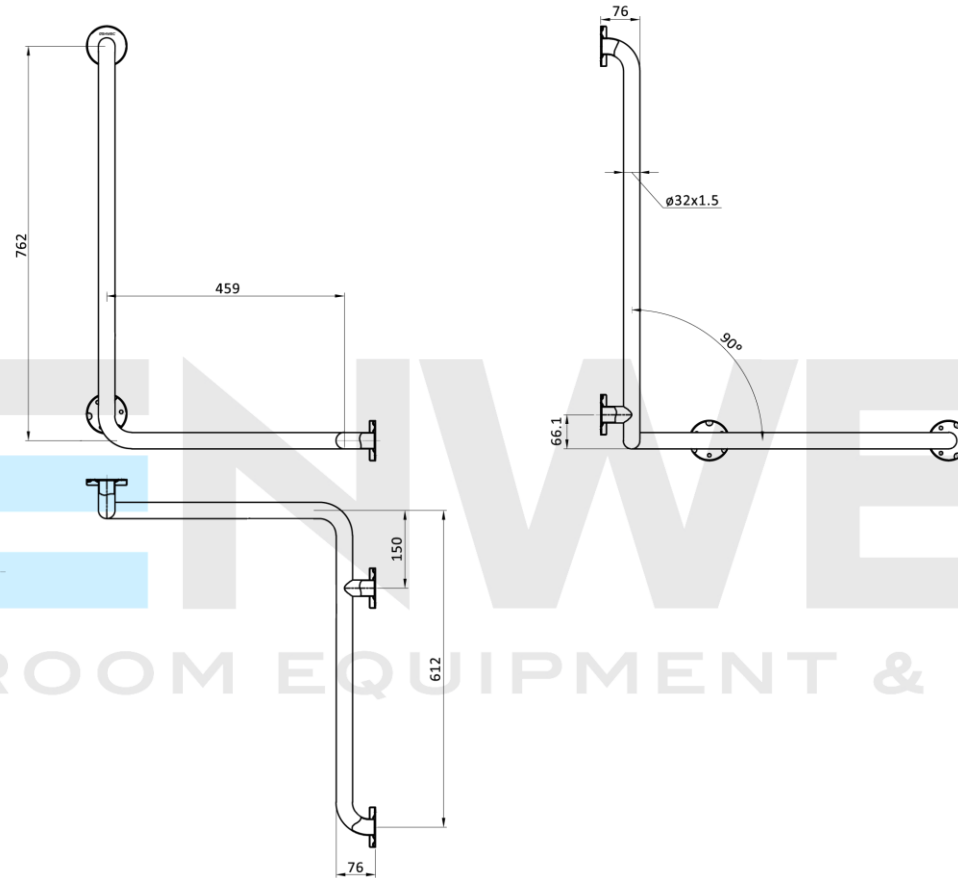
White epoxy finish

Grab bar supports 120 Kg if properly fixed.

GENWEC WASHROOM S.L. reserves the right to modify and/or rectify products and their specifications without prior notice.

Measures: \pm 3%

Revised by: GWC_v2 (06/2022)

**Electrical isolation:**

GENWEC WASHROOM, S.L. has electrical isolation kits for all grab bars manufactured in stainless steel. The kit code for straight bars is GW11 01 90 00.

Cleaning: A cotton cloth slightly dampened in a soapy solution is recommended. Then dry off.