

GRAB BARS

GW11 16 03 00 90° right side bar

GENWEC[®]
WASHROOM EQUIPMENT & COMP.



The image does not show the real finish.

Product description

90 ° angled bar with 3 with three points of support
Carbon steel tube of 32 mm diameter and 1.5 mm of thickness
Zinc-plated carbon steel mounting flanges with anticorrosion treatment with 2.5 mm of thickness and snap flange covers
White epoxy finish
Anti-vandalism product. Heavy duty.

Technical specifications:

90 ° angled bar with 3 with three points of support. The tube has an outside diameter of 32 mm with a thickness of 1,5 mm. The three mounting flanges are made of zinc-plated steel plate with anticorrosion treatment of 2.5 mm of thickness and 75 mm of diameter. The endings of the tube and the mounting flanges are threading M10. Mounting flanges have three holes for wall attachment and snap flange covers with 0.5 mm of thickness. Clearance between the grab bar and wall is 43mm. The assembled unit has suitable resistance to corrosion. The grab bar is fixed to the wall by means of 9 nylon wall plugs 8X50 and steel screws 5X60. Grab bar will support loads in excess of 120Kg if properly installed. The total measures of the product are 400x800 mm. The grab bar code is GW11 16 03 00, manufactured by GENWEC WASHROOM S.L. - Av. Joan Carles I, 46-48 - ES 08908 L'Hospitalet de Llobregat – Barcelona (Spain). www.genwec.com

Technical characteristics

Product specifications

Carbon steel tubing with Ø32 mm and 1,5 mm of thickness.

Zinc-plated carbon steel mounting flanges with 2.5 mm of thickness.

White epoxy finish

Grab bar supports 120 Kg if properly fixed.

GENWEC WASHROOM S.L. reserves the right to modify and/or rectify products and their specifications without prior notice.

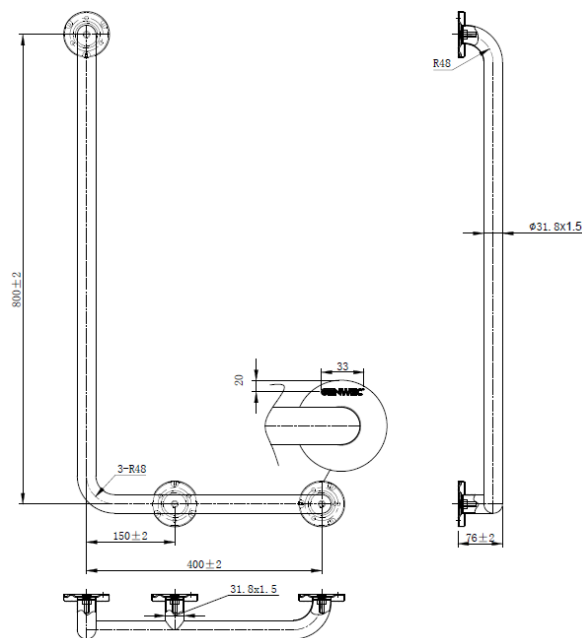
Measures: ±3%

Revised by: CSS_V1 (10/2018)

GRAB BARS

GW11 16 03 00 90° right side bar

GENWEC[®]
WASHROOM EQUIPMENT & COMP.



Electrical isolation:

GENWEC WASHROOM, S.L. has electrical isolation kits for all grab bars manufactured in stainless steel. The kit code for straight bars is GW11 01 90 00.

Cleaning: A cotton cloth slightly dampened in a soapy solution is recommended. Then dry off.

GENWEC WASHROOM S.L. reserves the right to modify and/or rectify products and their specifications without prior notice.

Measures: ±3%

Revised by: CSS_V1 (10/2018)