

GRAB BARS

GW11 14 03 00 Fixed floor-to-wall bar

The image does not show the real finish.

Product description

Two anchorages bar in angle with the wall and the floor.

No built-in.

Carbon steel tube of de 32 mm of diameter and 1.5 mm of thickness.

Zinc-plated carbon steel mounting flanges with anticorrosion treatment with 2.5 mm of thickness and snap flange covers.

White epoxy finish.

Anti-vandalism product. Heavy duty.

Technical specifications:

No built-in angle bar with two points of support located on the endings. The bar consists of carbon steel tube with 32 mm of diameter and 1.5 mm of thickness. The tube is bended on "L" shape 90 degrees. The two mounting flanges are made of zinc-plated carbon steel plate with anticorrosion treatment of 2.5 mm of thickness and 75 mm of diameter. The endings of the tube and the mounting flanges are threading M10. Mounting flanges have three holes for wall attachment and snap flange covers with 0.5 mm of thickness. The white epoxy painted steel assembled unit has suitable resistance to corrosion. The bar is fixed to the wall and the floor by means of 6 nylon wall plugs (10X60) and AISI 304 stainless steel screws (6X60). Grab bar will support loads in excess of 120Kg if properly installed. The total measures of the product are 805x775x82 mm. The grab bar code is GW11 14 03 00 manufactured by GENWEC WASHROOM S.L. – Av. Joan Carles I, 46-48 08908 L'Hospitalet de Llobregat.

Technical characteristics**Product specifications**

Carbon steel tubing with Ø32 mm and 1,5 mm of thickness.

Zinc-plated carbon steel mounting flanges with 2.5 mm of thickness.

Zinc-plated carbon steel snap flange covers with 0.5 mm of thickness.

White epoxy finish.

Grab bar supports 120 Kg if properly fixed.

Packaging specifications

Package weight: 3.00 kg.

Package measures: 780x860x85 mm.

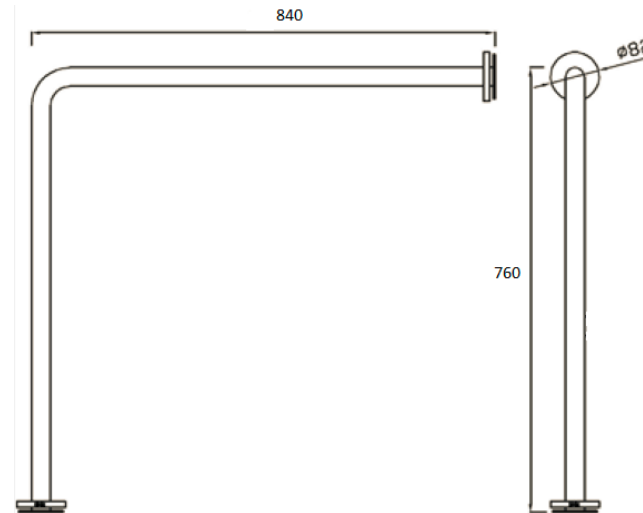
Product weight: 2.80 kg.

Product measures: 760x840x82 mm.

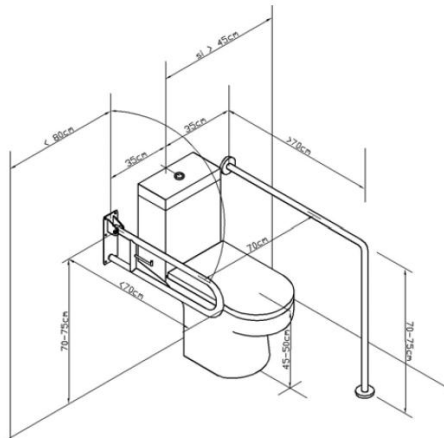
GRAB BARS

GW11 14 03 00 Fixed floor-to-wall bar

GENWEC[®]
WASHROOM EQUIPMENT & COMP.



Installation advice



Electrical isolation:

GENWEC WASHROOM, S.L. has electrical isolation kits for all grab bars manufactured in stainless steel. The kit code for straight bars is GW11 01 90 00.

GENWEC WASHROOM S.L. reserves the right to modify and/or rectify products and their specifications without prior notice.

Measures: $\pm 3\%$

Revised by: CSS_V1 (01/2016)

GRAB BARS

GW11 14 03 00 Fixed floor-to-wall bar



Certificates:

ISO9001:2008, CE and 93/42/CEE, 14th July of 1993.

Cleaning: A cotton cloth slightly dampened in a soapy solution is recommended. Then dry off.