

GRAB BARS**GW11 13 03 00 Wall-floor grab bar**

The image does not show the real finish.

Product description

90 ° angled bar with wall and floor anchorages
Right position (position considered to be in front – not user)
Carbon steel tube of 32 mm diameter and 1.5 mm of thickness
Zinc-plated carbon steel mounting flanges with anticorrosion treatment with 2.5 mm of thickness and snap flange covers
White epoxy finish
Anti-vandalism product. Heavy duty.

Technical specifications:

No built-in angle bar with three points of support located on the endings. The bar consists of a carbon steel tube with 32 mm of diameter and 1.5 mm of thickness. The tube is bended on “L” shape 90 degrees. The three mounting flanges are made of zinc-plated steel plate with anticorrosion treatment of 2.5 mm of thickness and 75 mm of diameter. The endings of the tube and the mounting flanges are threading M10. Mounting flanges have three holes for wall attachment and snap flange covers with 0.5 mm of thickness. The white epoxy steel assembled unit has suitable resistance to corrosion. The bar is fixed to the wall and the floor by means of 6 nylon wall plugs (10X60) and steel screws (6X60). Grab bar will support loads in excess of 120Kg if properly installed. The total measures of the product are 780x840 mm. The grab bar code is GW11 13 03 00 manufactured by GENWEC WASHROOM S.L. – Av. Joan Carles I, 46-48 ES 08908 L’Hospitalet de Llobregat, Barcelona (Spain).

Technical characteristics**Product specifications**

Carbon steel tubing with Ø32 mm and 1,5 mm of thickness.

Zinc-plated carbon steel mounting flanges with 2.5 mm of thickness.

Zinc-plated carbon steel snap flange covers with 0.5 mm of thickness.

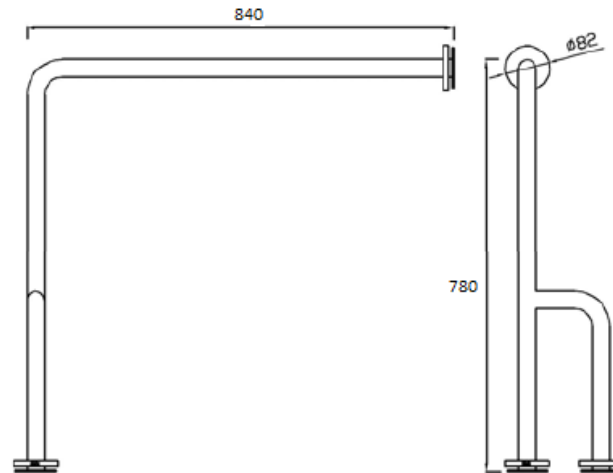
White epoxy finish.

Grab bar supports 120 Kg if properly fixed.

GRAB BARS

GW11 13 03 00 Wall-floor grab bar

GENWEC[®]
WASHROOM EQUIPMENT & COMP.



Electrical isolation:

GENWEC WASHROOM, S.L. has electrical isolation kits for all grab bars manufactured in stainless steel. The kit code for straight bars is GW11 01 90 00.

Cleaning: A cotton cloth slightly dampened in a soapy solution is recommended. Then dry off.

GENWEC WASHROOM S.L. reserves the right to modify and/or rectify products and their specifications without prior notice.

Measures: $\pm 3\%$

Revised by: CSS_V1 (10/2018)