

GRAB BARS

## GW11 07 04 01 Folding bar 800 mm

**GENWEC**<sup>®</sup>  
WASHROOM EQUIPMENT & COMP.



### Product description

Vertical folding bar.

1.5 mm AISI 304 stainless steel tubing with 32 mm outside diameter.

3 mm AISI 304 stainless steel support.

Brushed finish.

Anti-vandalism product. Heavy duty.

Gradual breaking system.

Length: 800 mm.

### Technical specifications:

Vertical folding bar with gradual breaking system incorporated. This horizontal installation bar is composed of an AISI 304 stainless steel tubing with 32 mm of diameter and 1.5 mm of thickness. The tube has been bent as a “U” and it is reinforced by a joint with a paper hanger located in the middle. The wall support is composed of an AISI 304 stainless steel plate with 3mm of thickness, and two AISI 304 stainless steel hinges with 3 mm of thickness using to turn the folding bar. All the pieces have been welded by TIG method. There are 6 bores on the wall mounted to support the bar on the wall. All the pieces of the bar have a brushed finish. The folding bar complies the ADA regulation. The bar is fixed to the wall with 6 nylon plugs of 10X60 and AISI304 stainless steel screws of 8X70 with hexagonal head. Grab bar will support loads in excess of 120Kg if properly installed. The total measures of the product are 300x100x800 mm. The grab bar code is GW11 07 04 01 manufactured by GENWEC WASHROOM S.L. – Av. Joan Carles I, 46-48 08908 L’Hospitalet de Llobregat, Barcelona (Spain).

### Technical characteristics

#### Product specifications

AISI 304 stainless steel tubing with Ø32 mm and 1,5 mm of thickness

AISI 304 stainless steel support and hinge with 3 mm of thickness.

Six Ø10,5 mm bores by support

No feed TIG Welding.

Brushed finish.

Grab bar supports 120 Kg if properly fixed.

#### Packaging specifications

Packaging: Individual box and plastic bag

Package weight: 3.80 kg.

Package measures: 310x105x810 mm

Product weight: 3.20 kg

Product measures: 300x100x800 mm

Carton units: 5

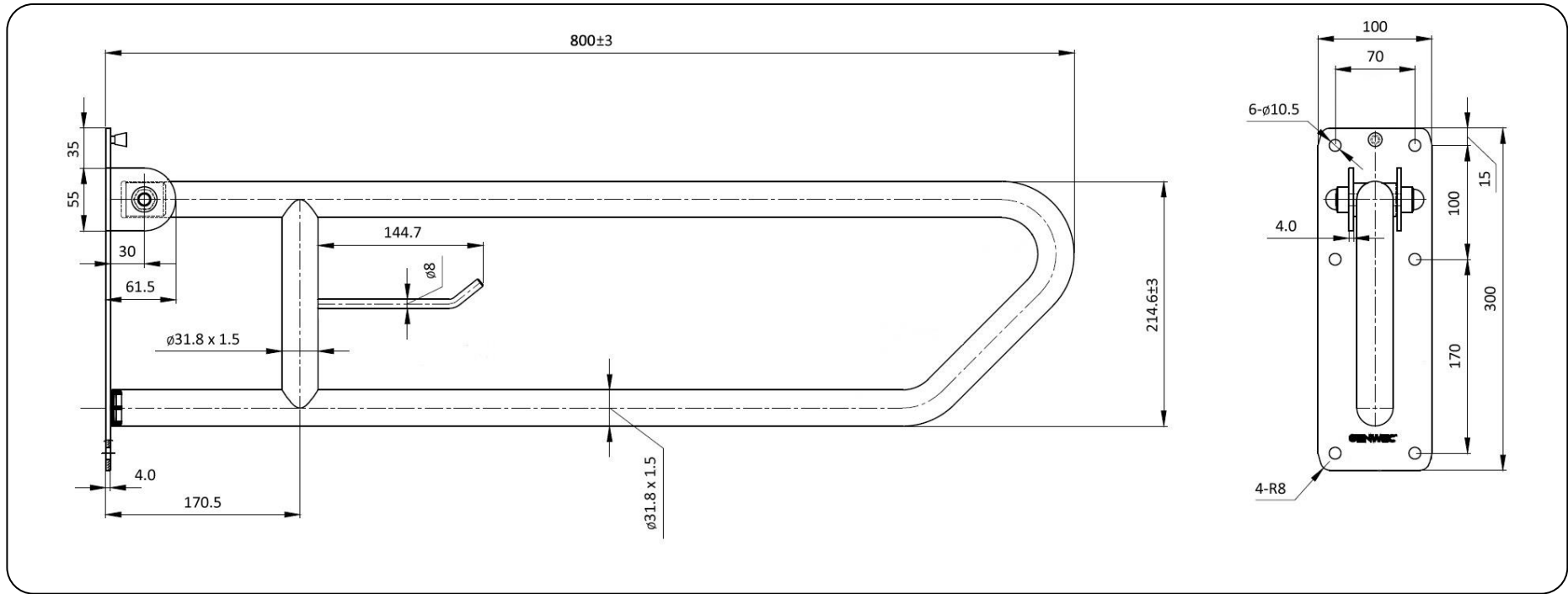
Pallet units: 30 (\*)

(\*) Maximum height 1,1m.

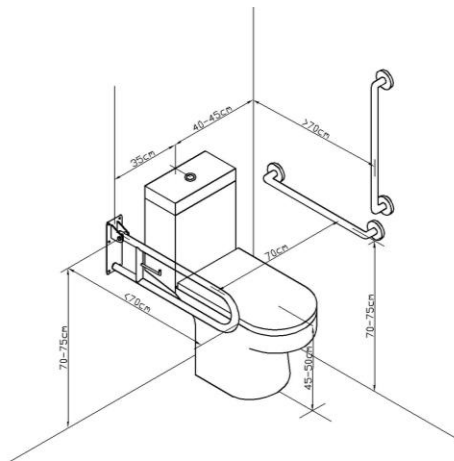
GENWEC WASHROOM S.L. . reserves the right to modify and/or rectify products and their specifications without prior notice.

Measures: ±3%

Revised by: GWC\_v2 (06/2019)



### Installation advice



### Electrical isolation:

GENWEC WASHROOM, S.L. has electrical isolation kits for all grab bars manufactured in stainless steel. The kit code for folding bars is GW11 01 90 01.

GENWEC WASHROOM S.L. . reserves the right to modify and/or rectify products and their specifications without prior notice.

Measures:  $\pm 3\%$

Revised by: GWC\_v2 (06/2019)

GRAB BARS **GW11 07 04 01 Folding bar 800 mm**



**Operation:** Horizontal position for use, folding position only recommended for accessibility.

**Cleaning:** A cotton cloth slightly dampened in a soapy solution is recommended. Then dry off.



GENWEC WASHROOM S.L. . reserves the right to modify and/or rectify products and their specifications without prior notice.

Measures:  $\pm 3\%$

Revised by: GWC\_v2 (06/2019)