

## GRAB BARS **GW11 04 04 01 Satin grab bar 750 mm**



### Product description

750 mm grab bar  
1,5 mm AISI 304 stainless steel tubing with 32 mm outside diameter  
Satin finish  
Heavy duty

### Technical specifications:

750 mm AISI stainless steel grab bar to be installed in vertical or horizontal position. The tube has an outside diameter of 32 mm with a thickness of 1,5 mm, bended on both ends 90°. Mounting flanges are manufactured in AISI 304 stainless steel with 2.5 mm thickness and 76,9 mm de diameter and are fixed to the ends of the bar using M10 screws. Mounting flanges have three holes for wall attachment. Snap flange covers are manufactured in AISI 304 stainless steel with 0,5mm thickness and 77,6 mm diameter. Each cover snaps over mounting flange to conceal mounting screws. Clearance between the grab bar and wall is 43mm. The assembled unit has suitable resistance to corrosion. The grab bar is fixed to the wall by means of 6 nylon wall plugs (8X50) and AISI 304 stainless steel screws (5X60). Grab bar will support loads in excess of 120Kg if properly installed. The grab bar code is GW11 04 04 01 manufactured by GENWEC WASHROOM S.L. – Av. Joan Carles I, 46-48 08908 L'Hospitalet de Llobregat.

### Technical characteristics

#### Product specifications

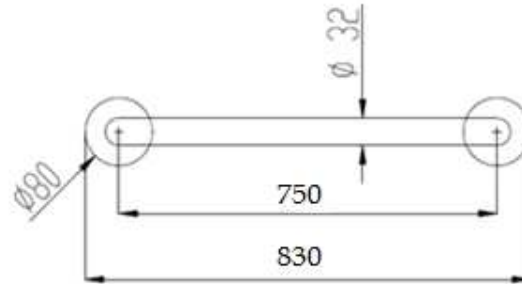
- Mounting flanges manufactured in AISI 304 stainless steel with 2,5mm thickness and 76,9mm diameter
- AISI 304 stainless steel tubing with 32mm outside diameter and 1,5mm thickness
- Snap flange covers manufactured in AISI 304 stainless steel with 0,5mm thickness and 77,6mm diameter
- Satin finish
- Clearance to wall: 43mm
- Grab bar supports 120 Kg if properly fixed

#### Packaging specifications

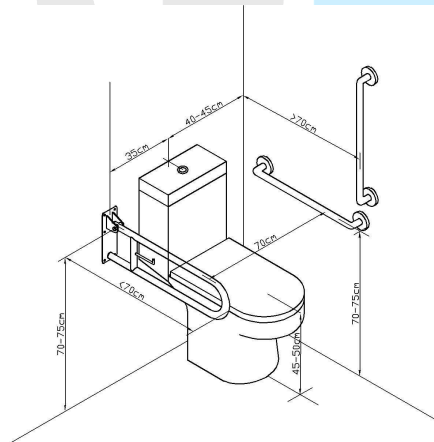
Packaging: Individual box and plastic bag  
Package measures: 85x85x850 mm  
Product measures: 80x830x43mm  
Carton units: 20  
Pallet units: 120 (\*)

(\*) Maximum height 1,1m.

GRAB BARS **GW11 04 04 01 Satin grab bar 750 mm**



**Installation advice**



**Electrical isolation:**

GENWEC WASHROOM has electrical isolation kits for all grab bars manufactured in stainless steel. The kit code for related grab bar is GW11.01.90.00 (2 units).

**Cleaning:** A cotton cloth slightly dampened in a soapy solution is recommended. Then dry off.