

WATER DISPENSERS

GW10 04 04 02 Outdoor floor standing push button operated water dispenser**Product description**

Floor standing push button operated water dispenser

Specially designed for outdoor use

Operated by push button

AISI 304 stainless steel 2 mm of thickness

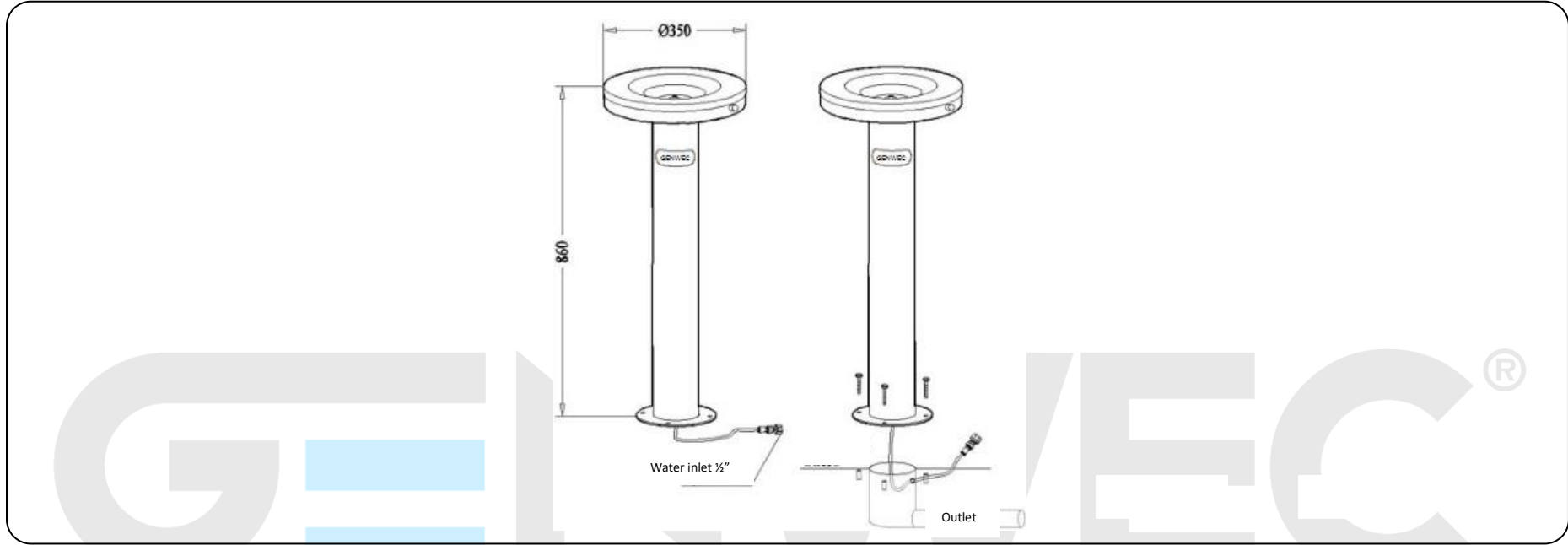
Without refrigerated unit

Technical specifications:

One water dispenser activated by pushbutton. Exterior & interior body made of AISI 304 stainless steel, 2 mm of thickness. The water inlet is of 1/2". The fixation to the floor is made by 4 screws. The measures of the product are 860x Ø350mm. Adequate for highly frequently use public exterior spaces. The reference of the product is GW10.04.04.02 manufactured by GENWEC S.L. – Avd. Joan Carles I, 46-48 08908 L'Hospitalet de Llobregat - Barcelona (Spain). www.genwec.com.

Technical features:**Product specifications**

- Fully made of AISI304 stainless steel (exterior / interior)
- Specially designed for outdoor use
- Without refrigeration unit
- Heavy duty lateral push button
- 4 screws floor installation



Cleaning: A damp cotton cloth with soapy water is recommended. Allow to dry.