



*No representative finish.

Product description

Anti vandalism right angle toilet and washbasin set
Made of AISI 304 stainless steel with a thickness of 1,5 mm.
Brushed finish.
Wall water inlet \varnothing 1" 1/2
Wall or floor outlet \varnothing 102 mm
Installation accessories included.

Technical specifications:

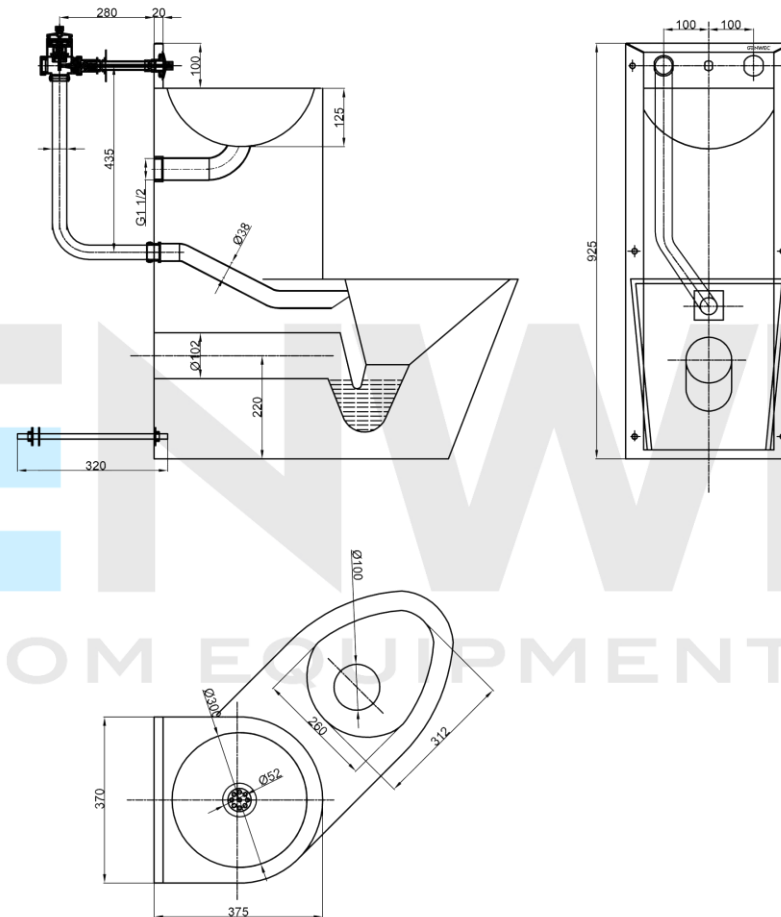
Anti vandalism right angle toilet and washbasin set. The product made of AISI stainless steel, consists on a washbasin and a toilet. The toilet includes a drain. The water discharge on the washbasin must use flush valve. The toilet incorporates a wall or floor outlet \varnothing 102 mm and a wall water inlet \varnothing 1 1/2. Installation accessories included. The assembly of the unit is done by setting to the wall and the floor with screws. The set has a brushed finish that gives adequate resistance against the use. The total dimensions of the product are 950x370x810mm . The reference of the product is GW08 73 04 01, manufactured by GENWEC WASHROOM S.L. - Av. Joan Carles I, 46-48 - c.p: ES - 08908 L'Hospitalet de Llobregat - Barcelona (SPAIN). www.genwec.com.

Technical features:

Product specifications

- Right angle toilet and washbasin set
- Made of AISI 304 stainless steel with a thickness of 1,5 mm.
- Anti vandalism, wall and floor fastening.
- Brushed finish.
- Wall water inlet 1" 1/2
- Floor or wall outlet \varnothing 102 mm

STAINLESS STEEL SANITARY TOILETS **GW08 73 04 01 Anti-vandalism toilet and washbasin set**



Cleaning: A damp cotton cloth with soapy water is recommended. Allow to dry.

GENWEC WASHROOM S.L. reserves the right to modify and/or rectify products and their specifications without prior notice

Measures: $\pm 3\%$

Revised by: GWC_V2 (09/2019)