

**Product description**

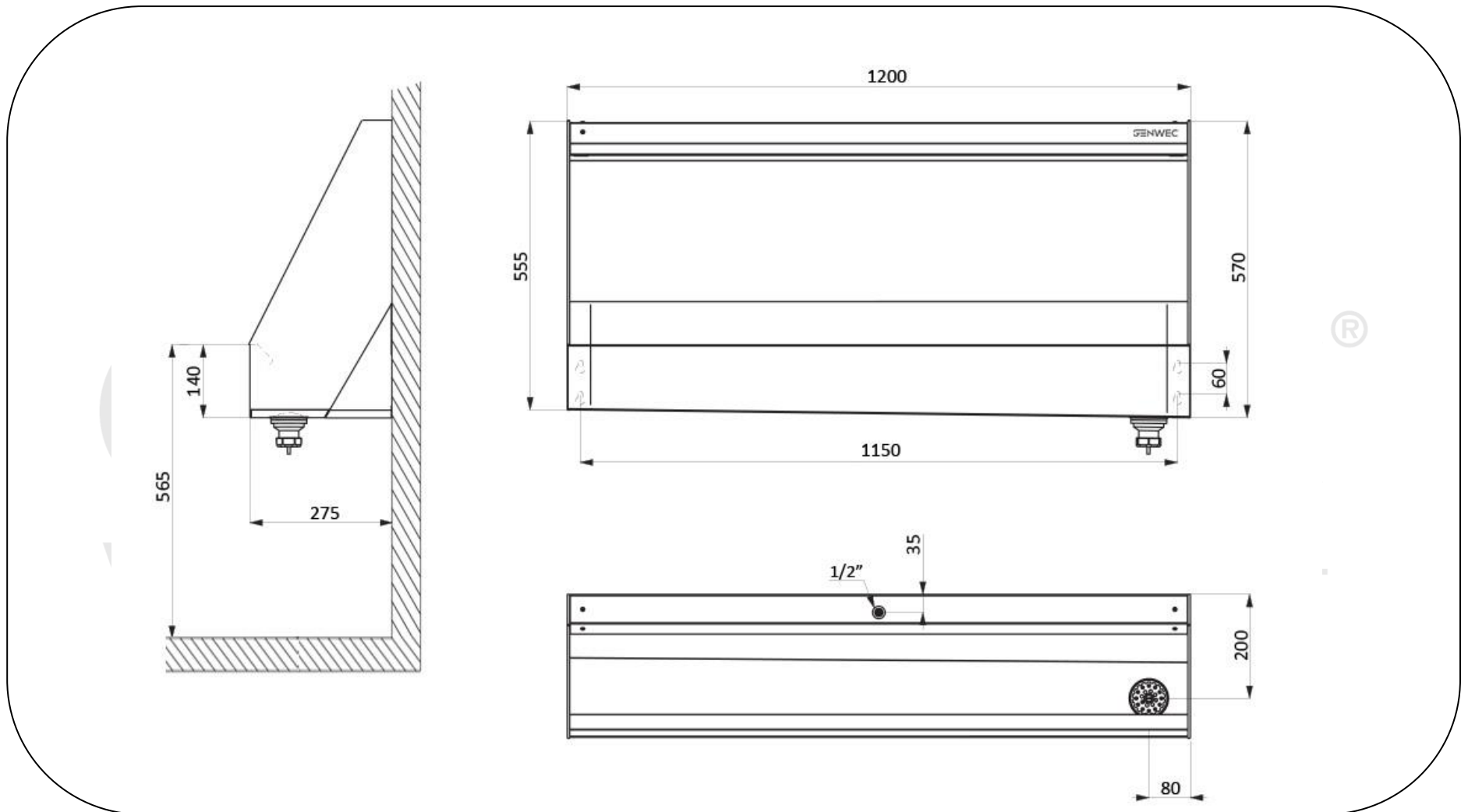
1200 mm wall-hung trough urinal
AISI 304 1.2 mm stainless steel
Brushed finish
Supplied with fixing elements
Without trap

Technical specifications:

Urinal made of AISI 304 stainless steel, total thickness 1.2 mm. Top water inlet of M1/2" and vertical waste outlet 1 1/2", drainage on the right. Supplied with 1 stainless steel sparge pipe for optimum rinsing of urinal surface. Water saving: optimal rinsing with 0.1L/s per service 0.3 l per use. The assembly of the unit is done by setting to wall. The unit has a satin finish that gives adequate resistance against the use. The total dimensions of the product are 570x1200x275 mm. The reference is GW08.62.04.01, manufactured by GENWEC WASHROOM, S.L. - Av. Joan Carles I, 46-48 - ES 08908 L'Hospitalet de Llobregat, Barcelona (Spain). www.genwec.com.

Technical features:**Product specifications**

AISI 304 1.2 mm stainless steel sanitary toilet
Brushed finish
Wall mounted



Cleaning: A cotton cloth slightly dampened in a soapy solution is recommended. Then dry off.