

STAINLESS STEEL SANITARY TOILETS

GW08 61 04 01 Wall hung urinal

GENWEC[®]
WASHROOM EQUIPMENT & COMP.



Product description

Vandal proof wall hung urinal
Made of AISI 304 stainless steel with a thickness of 1,5 mm
Brushed finish
Rounded edges to avoid personal damage/harm

Technical specifications:

Vandal proof wall hung urinal. The main body is made of 1,5mm thickness AISI 304 stainless steel. The connection to the drainage system is done by a wall water output diameter 50 mm. The fixation of the unit to the wall is made with the use of four anchors. The unit has a brushed finish that gives adequate resistance against the use and corrosion. The total dimensions of the product are 526x342x490mm. The code of the product is GW 08.61.04.01 manufactured by GENWEC S.L. – Avd. Joan Carles I, 46-48 L'Hospitalet de Llobregat - Barcelona. www.genwec.com

Technical features:

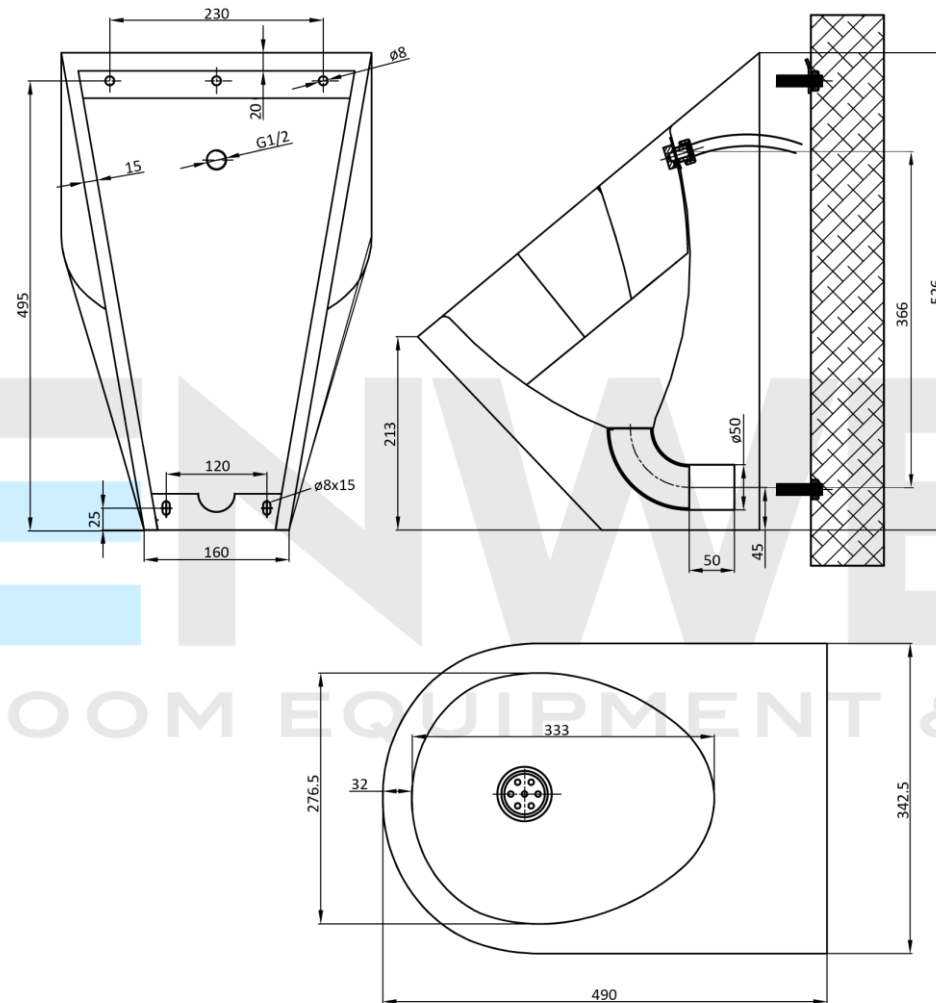
Product specifications

Body and drain cover made of AISI304 stainless steel
Vandal proof unit with 1,5mm thickness
Wall outlet \varnothing 50 mm
Brushed finish

GENWEC WASHROOM S.L. reserves the right to modify and/or rectify products and their specifications without prior notice

Measures: $\pm 3\%$

Revised by: GWC_V2 (05/2023)



Cleaning: A damp cotton cloth with soapy water is recommended. Allow to dry.