

STAINLESS STEEL SANITARY TOILETS

GW08 60 04 01 Rounded urinal

GENWEC[®]
WASHROOM EQUIPMENT & COMP.



Product description

Rounded urinal
Made of AISI 304 stainless steel with a thickness of 1,5 mm
Brushed finish
Rounded edges to avoid personal damage/harm

Technical specifications:

Rounded urinal. The main body is made of 1,5mm thickness AISI 304 stainless steel. The connection to the drainage system is done by a water output diameter 50 mm. The fixation of the unit is made with the use of four anchors. The unit has a brushed finish that gives adequate resistance against the use and corrosion. The total dimensions of the product are 570 x 365 x 315mm. The code of the product is GW 08.60.04.01 manufactured by GENWEC S.L. – Avd. Joan Carles I, 46-48 L'Hospitalet de Llobregat - Barcelona. www.genwec.com

Technical features:

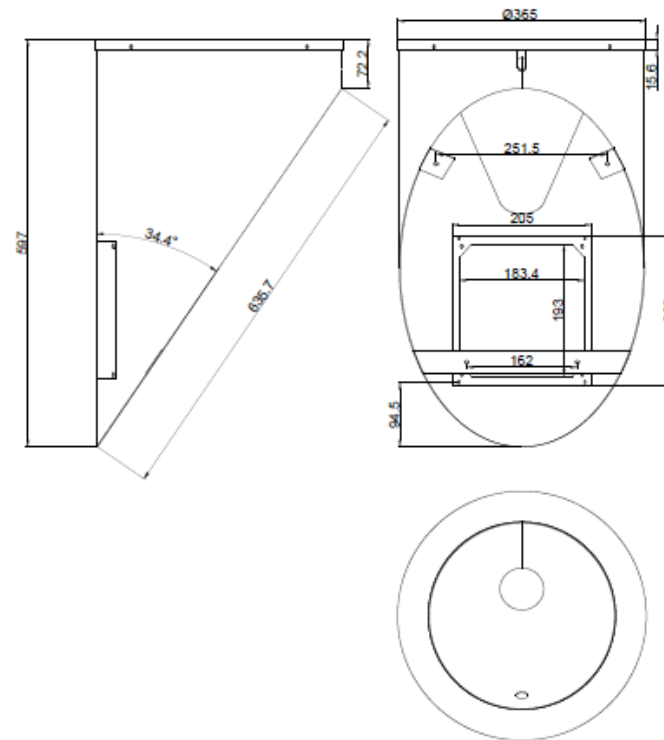
Product specifications

Body and drain cover made of AISI304 stainless steel
Vandal proof unit with 1,5mm thickness
Outlet Ø 50 mm
Brushed finish

GENWEC WASHROOM S.L. reserves the right to modify and/or rectify products and their specifications without prior notice

Measures: ±3%

Revised by: CSS_V1 (09/2017)



Cleaning: A damp cotton cloth with soapy water is recommended. Allow to dry.