

STAINLESS STEEL SANITARY TOILETS

GW08 57 04 01 Wall mounted toilet

GENWEC[®]
WASHROOM EQUIPMENT & COMP.



Product description

Anti vandalism wall installed toilet

Made of AISI 304 stainless steel with a thickness of 1,5 mm.

Brushed finish.

Outlet \varnothing 102 mm, inlet \varnothing 32mm.

Water discharge with flush valve or built-in tank.

Easy to install and repair drain cover

Technical specifications:

Anti vandalism wall installed toilet, wall outlet. The main body is made of AISI 304 stainless steel with a thickness of 1,5 mm. The cleaning water inlet diameter is 32mm. The water discharge must use flush valve or built-in tank. The connection to the drainage system is done by a wall water output diameter 102 mm. The assembly of the unit is done by means of 6 anchoring bolts. The unit has a brushed finish that gives adequate resistance against corrosion. The total dimensions of the product are 350x353x515mm. The reference of the product is GW 08.57.04.01 manufactured by GENWEC S.L. – Avd. Joan Carles I, 46-48 L'Hospitalet de Llobregat - Barcelona. www.genwec.com

Technical features:

Product specifications

Body and drain cover made of AISI 304 stainless steel

Anti vandalism, wall installation with anchoring bolts

Wall outlet \varnothing 102 mm

Wall water inlet \varnothing 32 mm

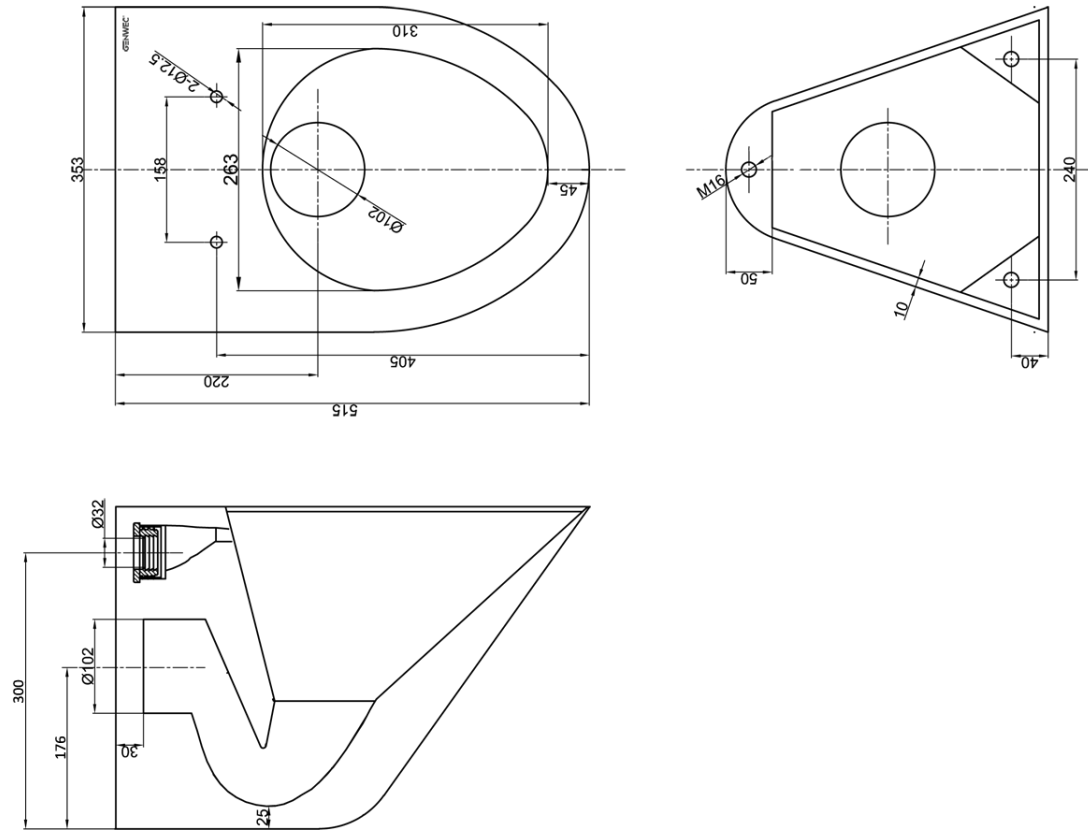
Water discharge with flush valve or built-in tank

Brushed finish

GENWEC WASHROOM S.L. reserves the right to modify and/or rectify products and their specifications without prior notice

Measures: $\pm 3\%$

Revised by: GWC_V2 (12/2019)



Cleaning: A damp cotton cloth with soapy water is recommended. Allow to dry.