

STAINLESS STEEL SANITARY TOILETS

GW08 56 04 01 Floor installed toilet

GENWEC[®]
WASHROOM EQUIPMENT & COMP.



Product description

Anti vandalism floor installed toilet, floor outlet.
Made of AISI 304 stainless steel with a thickness of 1,5 mm.
Brushed finish.
Outlet Ø 102 mm, inlet Ø 57mm.
Water discharge with flush valve or built-in tank.
Easy to install and repair drain cover

Technical specifications:

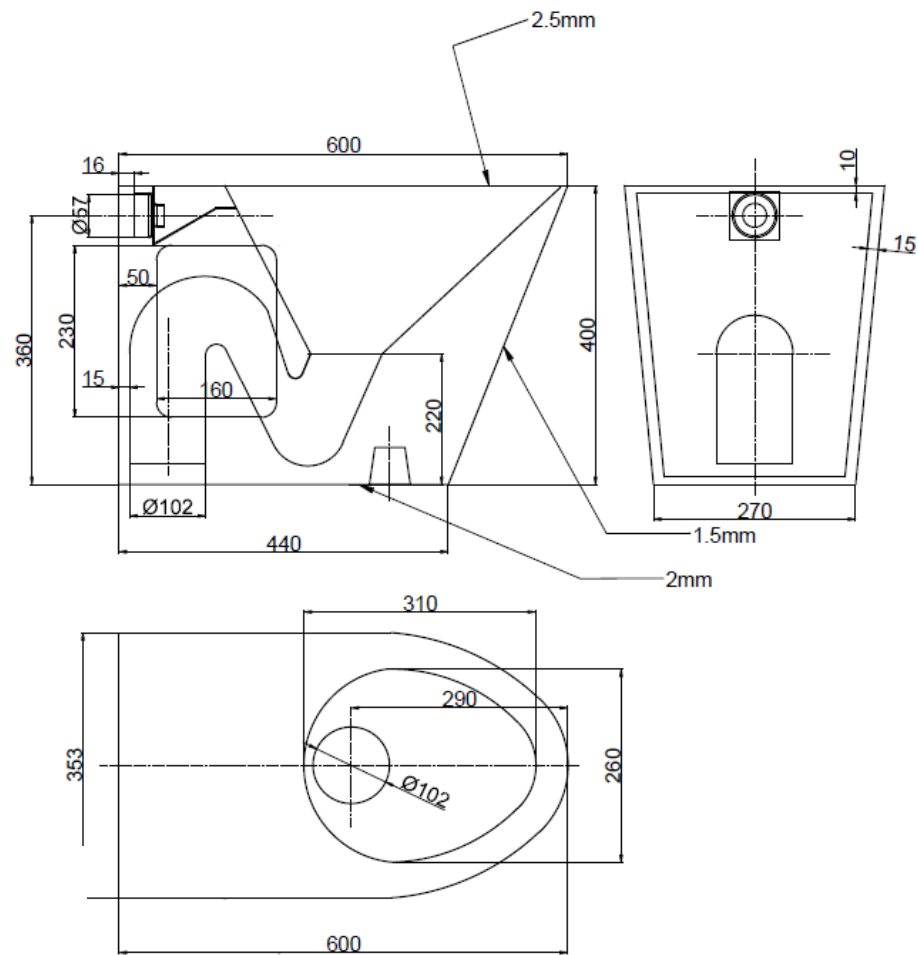
Anti vandalism floor installed toilet, floor outlet. The product consists in a main body and a side drain cover. The main body is made of AISI 304 stainless steel. The interior looks like a siphon. The cleaning water inlet diameter is 57mm. The water discharge must use flush valve or built-in tank. The connection to the drainage system is done by a floor water output diameter 102 mm. The assembly of the unit is done by setting to the wall and the floor with screws. The unit has a brushed finish that gives adequate resistance against the use. The total dimensions of the product are 400x353x600mm.

The reference of the product is GW 08 56 04 01 manufactured by GENWEC S.L. – Avda. Joan Carles I, 46-48 L'Hospitalet de Llobregat – Barcelona (Spain). www.genwec.com

Technical features:

Product specifications

Body and drain cover made of AISI304 stainless steel
Anti vandalism, floor installation.
Floor outlet Ø 102 mm.
Wall water inlet Ø 57 mm.
Water discharge with flush valve or built-in tank.
Brushed finish.



Cleaning: A damp cotton cloth with soapy water is recommended. Allow to dry.