

## STAINLESS STEEL SANITARY WASHBASINS **GW08 52 04 01 Wall mounted knee operated washbasin**



### Product description

Wall mounted washbasin  
Knee operated  
Push button with cold and hot water mixer  
Manufactured in AISI 304 stainless steel  
Brushed finish

---

### Technical specifications:

Wall mounted washbasin with knee pushbutton. The product consists of a stainless steel basin and a tap. The basin is totally manufactured in AISI 304 stainless steel with a drainage hole. The swan neck tap is activated by a pushbutton located at the front of the washbasin. The water inlet is  $\varnothing \frac{1}{2}$ ". The installation is made by the use of  $\varnothing 4 \times 35$ mm wall screws and  $\varnothing 6 \times 30$ mm nylon plugs. The assembled unit has a brushed finish which assures high resistance to corrosion. The measures of the product are 494 x 360 x 390 mm. The reference of the product is GW 08.52.04.01 manufactured by GENWEC S.L. – Avd. Joan Carles I, 46-48 L'Hospitalet de Llobregat - Barcelona. [www.genwec.com](http://www.genwec.com)

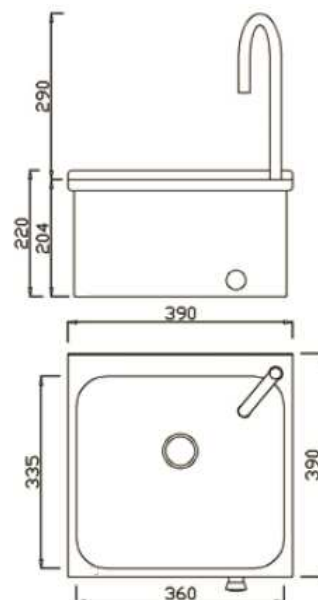
---

### Technical features:

#### Product specifications

Wall mounted, knee operated washbasin  
Manufactured in AISI 304 stainless steel  
Tap included  
Brushed finish

STAINLESS STEEL SANITARY WASHBASINS **GW08 52 04 01 Wall mounted knee operated washbasin**



**Cleaning:** A damp cotton cloth with soapy water is recommended. Allow to dry.