

STAINLESS STEEL SANITARY WASHBASINS **GW08 50 04 01 Pedestal washbasin**



Product description

Pedestal washbasin
Push button with cold and hot water mixer
Manufactured in AISI 304 stainless steel
Brushed finish

Technical specifications:

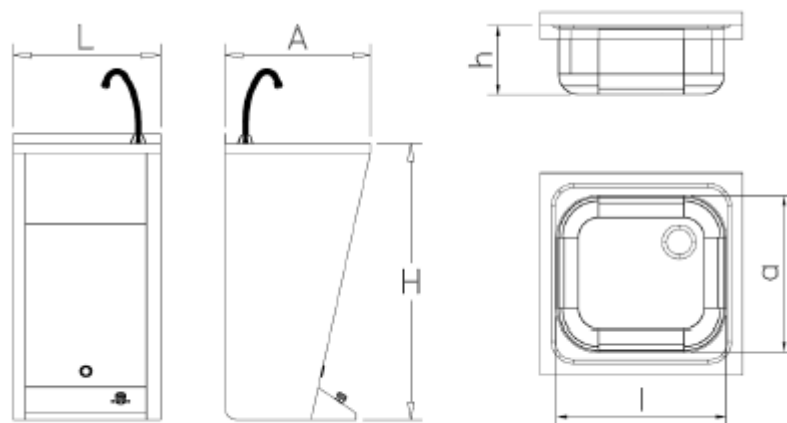
Pedestal washbasin with one pushbutton. The product consists of a stainless steel basin and a tap. The basin is totally manufactured in AISI 304 stainless steel with a drainage hole. The swan neck tap is activated by a pushbutton located at the bottom of the washbasin. The water inlet is $\varnothing \frac{1}{2}$ ". The assembled unit has a brushed finish which assures high resistance to corrosion. The measures of the product are 450 x 450 x 850 mm, and its total net weight is 12.5 kg. The reference of the product is GW 08.50.04.01 manufactured by GENWEC S.L. – Avd. Joan Carles I, 46-48 L'Hospitalet de Llobregat - Barcelona. www.genwec.com

Technical features:

Product specifications

Pedestal washbasin
Manufactured in AISI 304 stainless steel
Tap included
Brushed finish

STAINLESS STEEL SANITARY WASHBASINS **GW08 50 04 01 Pedestal washbasin**



L = 450 mm

A = 450 mm

H = 850 mm

l = 370 mm

a = 340 mm

h = 150 mm

Cleaning: A damp cotton cloth with soapy water is recommended. Allow to dry.

STAINLESS STEEL SANITARY WASHBASINS **GW08 50 04 01 Pedestal washbasin**

Installation schedule:

