

STAINLESS STEEL SANITARY WASHBASINS **GW08 47 04 01 Surgical washbasin**



Product description

Surgical washbasin. Wall installation.

Made of AISI 304 stainless steel with a thickness of 1,2 mm.

Brushed finish.

Technical specifications:

Surgical washbasin manufactured in stainless steel. The product consists of a wall backsplash and a basin. The basin, manufactured in AISI 304 stainless steel with a thickness of 1,2mm, has a drainage hole on the center. The backsplash, manufactured in AISI 304 stainless steel with a thickness of 1,2mm, is welded to the basin. The assembled unit has a brushed finish which assures high corrosion resistance. The total measures of the product are 725 x 700 x 515 mm. The reference of the product is GW 08.47.04.01 manufactured by GENWEC S.L. – Avd. Joan Carles I, 46-48 L'Hospitalet de Llobregat - Barcelona. www.genwec.com

Technical features:

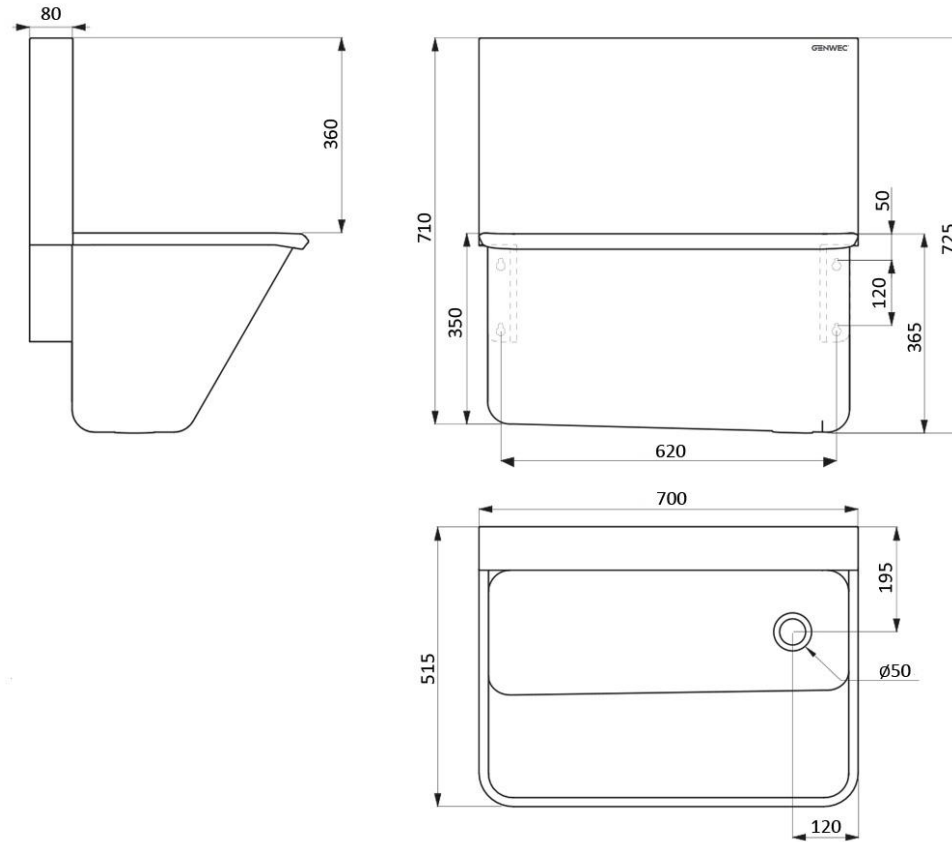
Product specifications

Backsplash and basin manufactured in AISI 304 stainless steel

1,2 mm stainless steel thickness

Brushed finish

STAINLESS STEEL SANITARY WASHBASINS **GW08 47 04 01 Surgical washbasin**



Cleaning: A damp cotton cloth with soapy water is recommended. Allow to dry.