

STAINLESS STEEL SANITARY TOILETS **GW08 43 04 01 1800mm Collective washbasin with backsplash**



(*) Optional tap holes

Product description

AISI 304 stainless steel collective washbasin with backsplash
Brushed finish
Optional wall frame support (GW08 45 04 01)
Optional support legs (GW08 46 04 01)

Technical specifications:

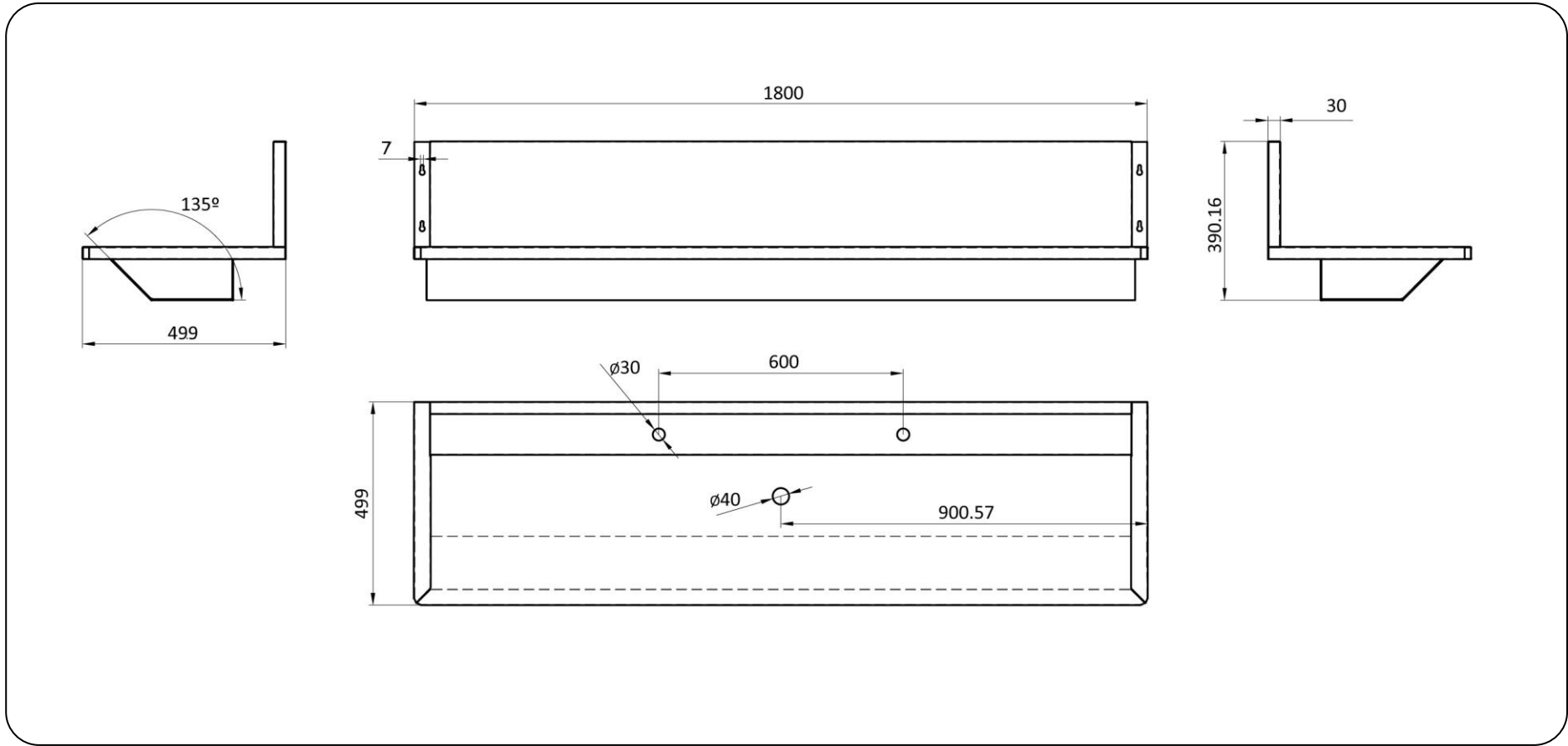
Collective washbasin without taps. The main body, made of AISI 304 stainless steel consists in a sink with drainage system and a backsplash. The assembly of the unit is done by setting to the wall with screws. There is the possibility of optional support legs (GW08 46 04 01). The unit has a brushed finish that gives adequate resistance against the use. The total dimensions of the product are 390x1800x500mm. The reference of the product is GW08 43 04 01, manufactured by GENWEC WASHROOM S.L. - Av. Joan Carles I, 46-48 - c.p: 08908 L'Hospitalet de Llobregat - Barcelona. www.genwec.com.

Technical features:

Product specifications

Washbasin made of AISI304 stainless steel
Anti vandalism wall mounted washbasin
Optional support legs not included
Brushed finish
Sink with drainage system

STAINLESS STEEL SANITARY TOILETS **GW08 43 04 01 1800mm Collective washbasin with backsplash**



Cleaning: A cotton cloth slightly dampened in a soapy solution is recommended. Then dry off. Do not use any strong chemicals or cleaning agents that can be dangerous to children.