

STAINLESS STEEL SANITARY TOILETS **GW08 36 04 01 1200mm Collective washbasin**



(*) Tap holes not included

Product description

AISI 304 stainless steel collective washbasin
Brushed finish
Wall frame support
Optional support legs

Technical specifications:

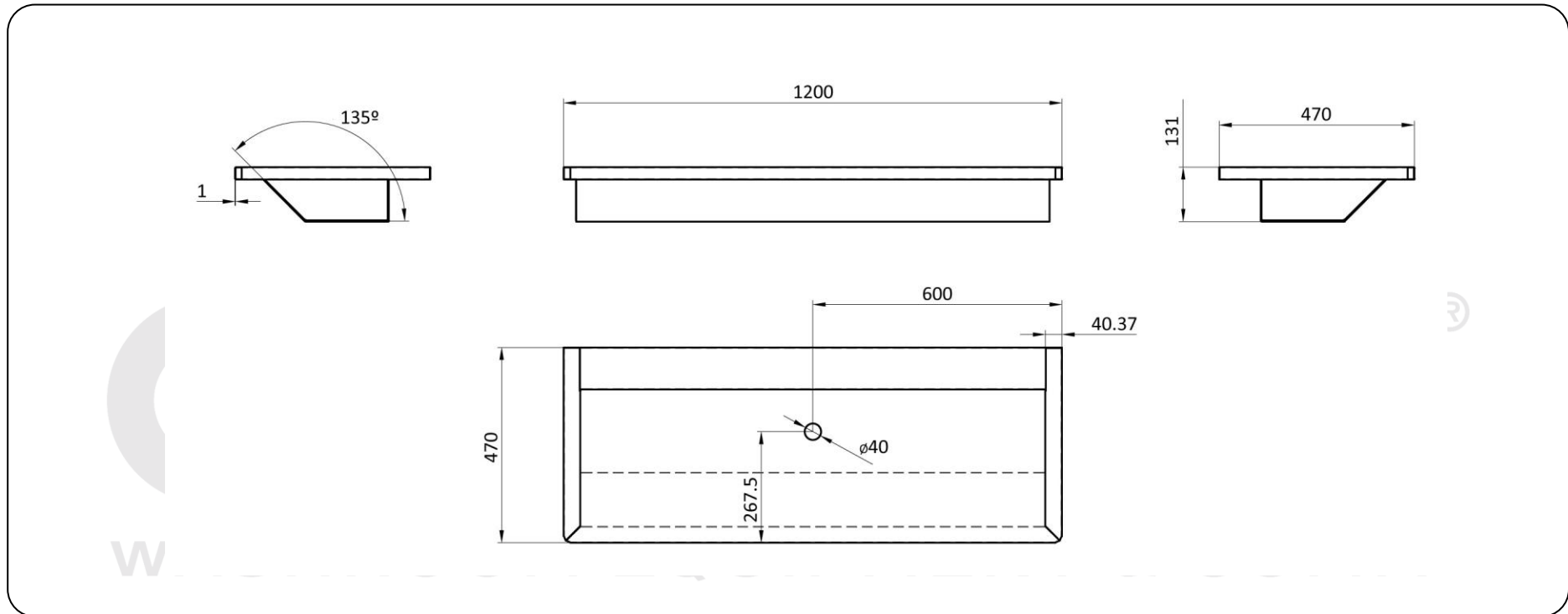
Collective washbasin without taps. The main body, made of AISI 304 stainless steel consists in a sink with drainage system. The assembly of the unit is done by setting to the wall with screws. There is the possibility of optional support legs (GW08 46 04 01). The unit has a brushed finish that gives adequate resistance against the use. The total dimensions of the product are 131x1200x500mm. The reference of the product is GW08 36 04 01, manufactured by GENWEC WASHROOM S.L. - Av. Joan Carles I, 46-48 - c.p: 08908 L'Hospitalet de Llobregat - Barcelona. www.genwec.com.

Technical features:

Product specifications

Washbasin made of AISI304 stainless steel.
Anti vandalism wall mounted washbasin.
Optional support legs not included.
Brushed finish.
Sink with drainage system.

STAINLESS STEEL SANITARY TOILETS **GW08 36 04 01 1200mm Collective washbasin**



Cleaning: A cotton cloth slightly dampened in a soapy solution is recommended. Then dry off. Do not use any strong chemicals or cleaning agents that can be dangerous to children.