

STAINLESS STEEL SANITARY TOILETS **GW08 27 04 01 Anti vandalism wall hung washbasin**



*No representative finish.

Product description

AISI 304 stainless steel wall hung washbasin.
Satin finish.
Anti vandalism washbasin, covered connections.

Technical specifications:

Anti vandalism washbasin made of AISI 304 stainless steel with a total thickness 1 mm. The drain and the overflow are located in the interior. The assembly of the hung unit is done by setting to the wall with screws. The unit has a satin finish that gives adequate resistance against the use. The total dimensions of the product are 440x352x425 mm. The reference of the product is GW08 27 04 01, manufactured by GENWEC WASHROOM S.L. - Av. Joan Carles I, 46-48 - c.p: 08908 L'Hospitalet de Llobregat - Barcelona. www.genwec.com.

Technical features:

Product specifications

Washbasin made of AISI304 stainless steel, total thickness 1 mm.

Anti vandalism wall mounted washbasin.

Satin finish.

Drain and overflow included.

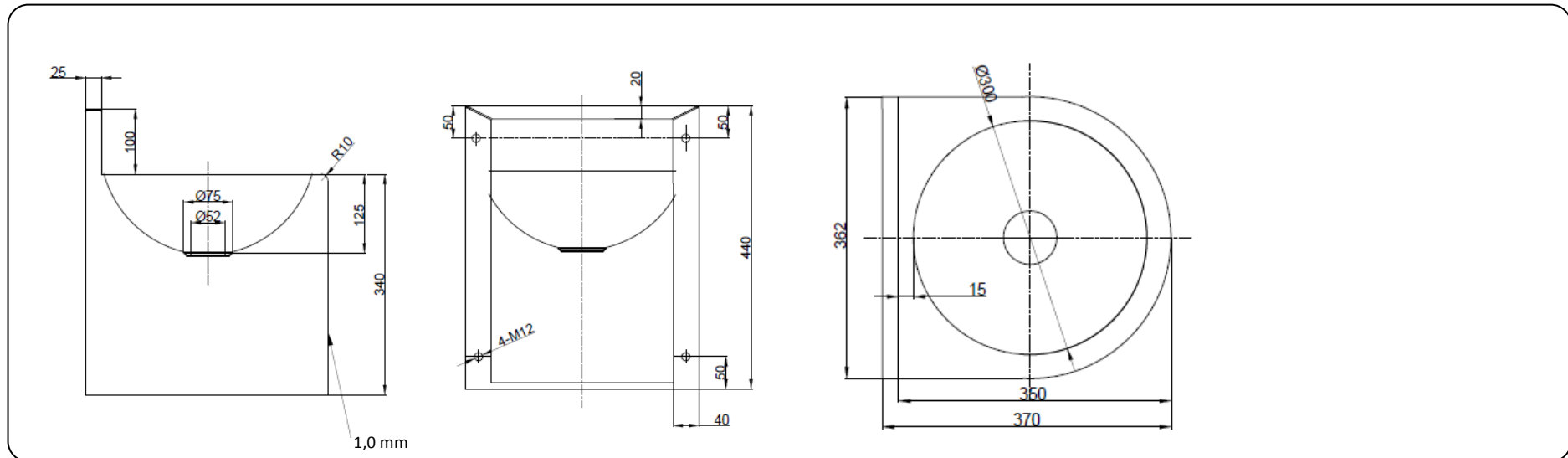
Taps not included.

GENWEC WASHROOM S.L. reserves the right to modify and/or rectify products and their specifications without prior notice

Measures: $\pm 3\%$

Revised by: CSS_V2 (03/2016)

STAINLESS STEEL SANITARY TOILETS **GW08 27 04 01 Anti vandalism wall hung washbasin**



Cleaning: A damp cotton cloth with soapy water is recommended. Allow to dry.