

STAINLESS STEEL SANITARY WASHBASINS **GW08 26 04 01 Corner round wall hung washbasin**



*No representative finish.

Product description

AISI 304 stainless steel wall hung washbasin.
Satin finish.

Technical specifications:

Washbasin made of AISI 304 stainless steel with a total thickness 1,5 mm. The drain and the overflow are located in the interior. The assembly of the hung unit is done by setting to the wall with screws. The unit has a satin finish that gives adequate resistance against the use. The total dimensions of the product are 210x230x325 mm. The reference of the product is GW08 26 04 01, manufactured by GENWEC WASHROOM S.L. - Av. Joan Carles I, 46-48 - c.p: ES 08908 L' Hospitalet de Llobregat - Barcelona (SPAIN). www.genwec.com.

Technical features:

Product specifications

Washbasin made of AISI304 stainless steel, total thickness 1.5 mm.

Wall mounted washbasin.

Satin finish.

Drain and overflow included.

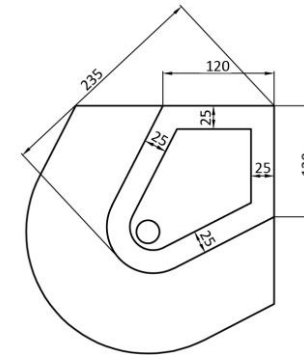
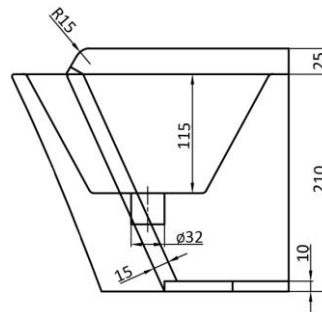
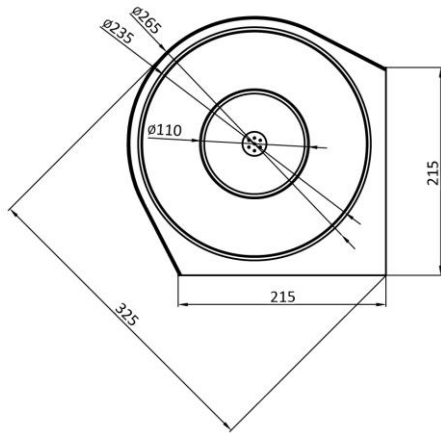
Taps not included.

GENWEC WASHROOM S.L. reserves the right to modify and/or rectify products and their specifications without prior notice

Measures: $\pm 3\%$

Revised by: CSS_V1 (04/2017)

STAINLESS STEEL SANITARY WASHBASINS **GW08 26 04 01 Corner round wall hung washbasin**



Cleaning: A damp cotton cloth with soapy water is recommended. Allow to dry