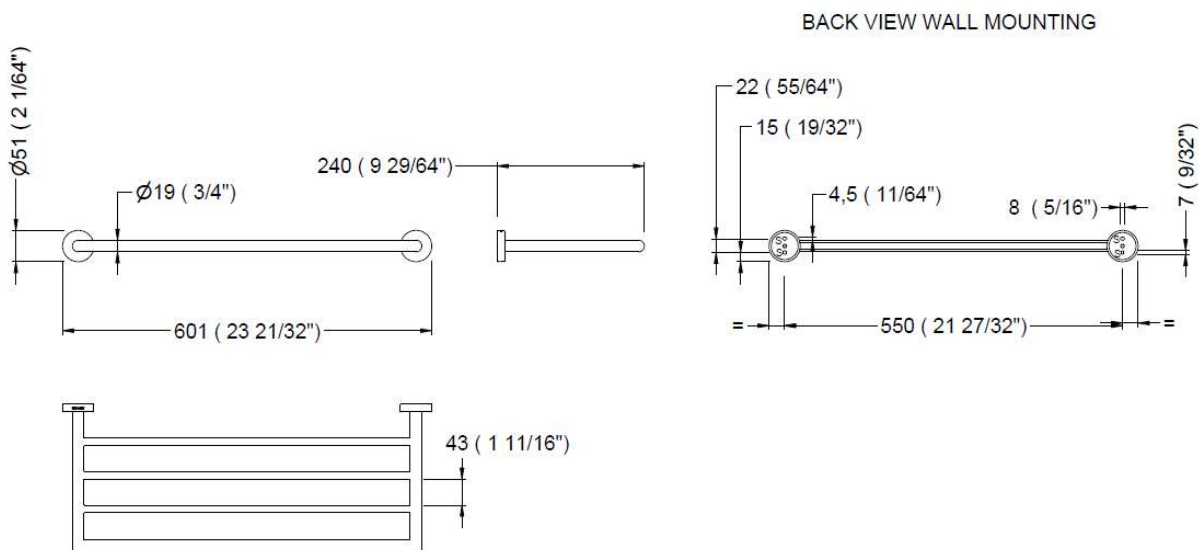




GW05 81 04 03

Towel rack "NIMBUS series"



Dimensions: ±3%

TECHNICAL DATASHEET

COMPONENTS AND MATERIALS

- Concealed wall plate (2) – AISI 304 stainless steel. Secured to wall with two screws.
- Main body made of stainless steel AISI 304 and a protective black powder coated RALM 9004.

The main body of the towel consists of a main bar and three equidistant additional bars of smaller diameter.

- Fixings set - Four Ø 6mm wall plugs, four Ø 4mm screws and one Allen key.

OPERATION

Suitable for hotel or residential bathrooms. No specific operation instructions.

MOUNTING

Loosen main body bottom setscrew so wall plate can be removed. Drill two Ø 6mm holes to suit provided wall plugs (6mm) and screws (4mm) at S points indicated in technical design. Secure wall plate to the wall. Place main body and tighten setscrew at the bottom so to secure with wall plate.

ARCHITECTURAL SPECIFICATION

Genwec towel rack "Nimbus series" shall be made of AISI 304 stainless steel. Shall be RAL 9004 matt black powder coated with a thickness of 115 µm. Edges should be smooth for user safety. The rack towel is made up of the main bar and three equidistant additional bars of smaller diameter. Also, the main body has two covers to hide and fix it to rear mounting plates.

SPARE PARTS

GW05 81 90 00 – Fixings set