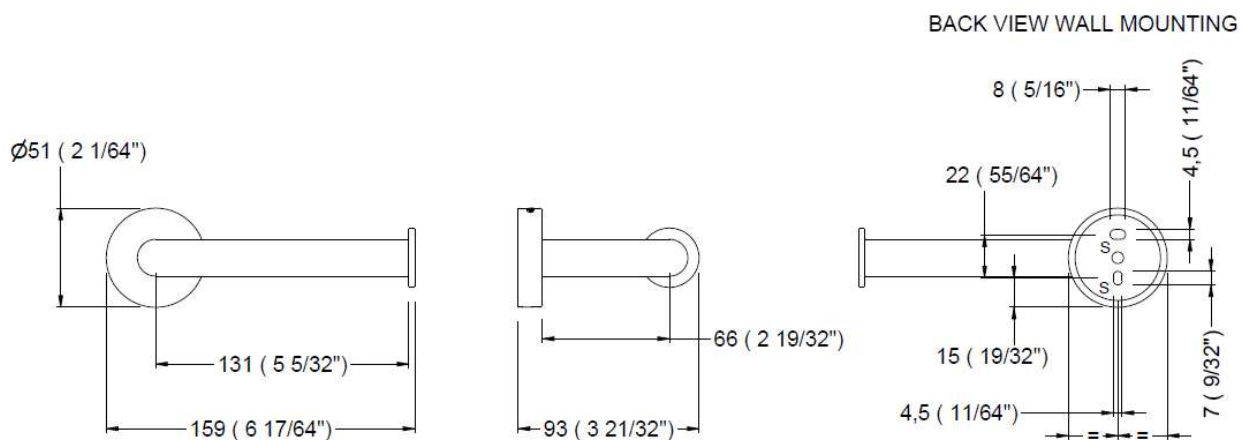




GW05 76 04 03

Paper holder "NIMBUS series"



Dimensions: ±3%

TECHNICAL DATASHEET

COMPONENTS AND MATERIALS

- Concealed wall plate – AISI 304 stainless steel. Secured to wall with two screws.
- Main body – AISI 304 stainless steel, 2,5mm thickness. Matt black powder coat (RAL 9004), 115 µm thickness. Secured to wall plate with one Allen stainless steel screw. This piece consists of the main bar holding the paper roll and the round snap flange hiding and fixing the rear plate.
- Fixings set - Two Ø 6mm wall plugs, two Ø 4mm screws and one Allen key.

OPERATION

Suitable for hotel or residential bathrooms. No specific operation instructions.

MOUNTING

Loosen main body bottom setscrew so wall plate can be removed. Drill two Ø 6mm holes to suit provided wall plugs (6mm) and screws (4mm) at S points indicated in technical design. Secure wall plate to the wall. Place main body and tighten setscrew at the bottom so to secure with wall plate.

ARCHITECTURAL SPECIFICATION

Genwec paper holder "Nimbus series" shall be 2,5mm thickness, AISI 304 stainless steel. Shall be RAL 9004 matt black powder coated with a thickness of 115 µm. The main part is made up of the bar holding the roll paper in a horizontal position and the round cover concealing the rear plate.

Edges should be smooth for user safety.

SPARE PARTS

GW05 76 90 00 – Fixings set