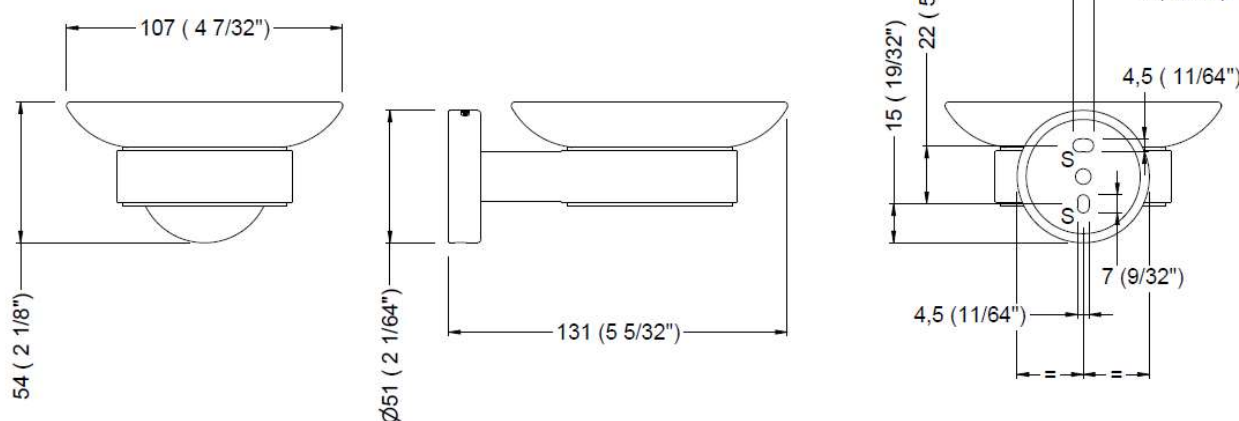




GW05 73 04 03

Soap dish "NIMBUS series"

BACK VIEW WALL MOUNTING



Dimensions: $\pm 3\%$

TECHNICAL DATASHEET

COMPONENTS AND MATERIALS

- Concealed wall plate – AISI 304 stainless steel. Secured to wall with two screws.
- Main body – AISI 304 stainless steel, 2,5mm thickness. Matt black powder coat (RAL 9004), 115 μm thickness. Secured to wall plate with one Allen stainless steel screw.
- Translucent round soap dish.
- Fixings set - Two $\varnothing 6\text{mm}$ wall plugs, two $\varnothing 4\text{mm}$ screws and one Allen key.

OPERATION

Suitable for hotel or residential bathrooms. No specific operation instructions.

MOUNTING

Loosen main body bottom setscrew so wall plate can be removed. Drill two $\varnothing 6\text{mm}$ holes to suit provided wall plugs (6mm) and screws (4mm) at S points indicated in technical design. Secure wall plate to the wall. Place main body and tighten setscrew at the bottom so to secure with wall plate.

ARCHITECTURAL SPECIFICATION

Genwec "Nimbus series" soap dish includes a wall-mounted support with a round base in AISI 304 stainless steel, matt black finish (RAL 9004) and the main soap dish made of translucent glass. The edges should be smooth for user safety and its coating protects the product from corrosion.

SPARE PARTS

GW05 73 90 00 – Fixings set