



Product description

Round magnifying mirror
Brass with chrome finish
Polished finish
Fully articulated

Technical specifications:

Round magnifying mirror. The round mirror consists of a recessed wall mount, an articulated arm set in two sections and a mirror support element that allows bending it on its vertical and horizontal axes. The recessed wall mount includes a wall plate made of brass with a thickness of 0.75 mm. This set is manually fastened to a 2-mm thick mounting plate by means of two threaded elements. This plate is fastened to the wall by means of two nylon wall plugs and two screws provided with the product. The articulated arm moves freely on the horizontal plane and it consists of two sections made of precision turned brass parts. The mirror support, made of turned brass with a thickness of 0.5 mm, has a magnifying mirror inside. The assembled set has a chrome finish that provides it an appropriate resistance against corrosion. The accessory model for the HORECA sector is GW05 30 06 02, manufactured by GENWEC WASHROOM S.L. - Av. Joan Carles I, 46-48 08908 L'Hospitalet de Llobregat, Barcelona (Spain).

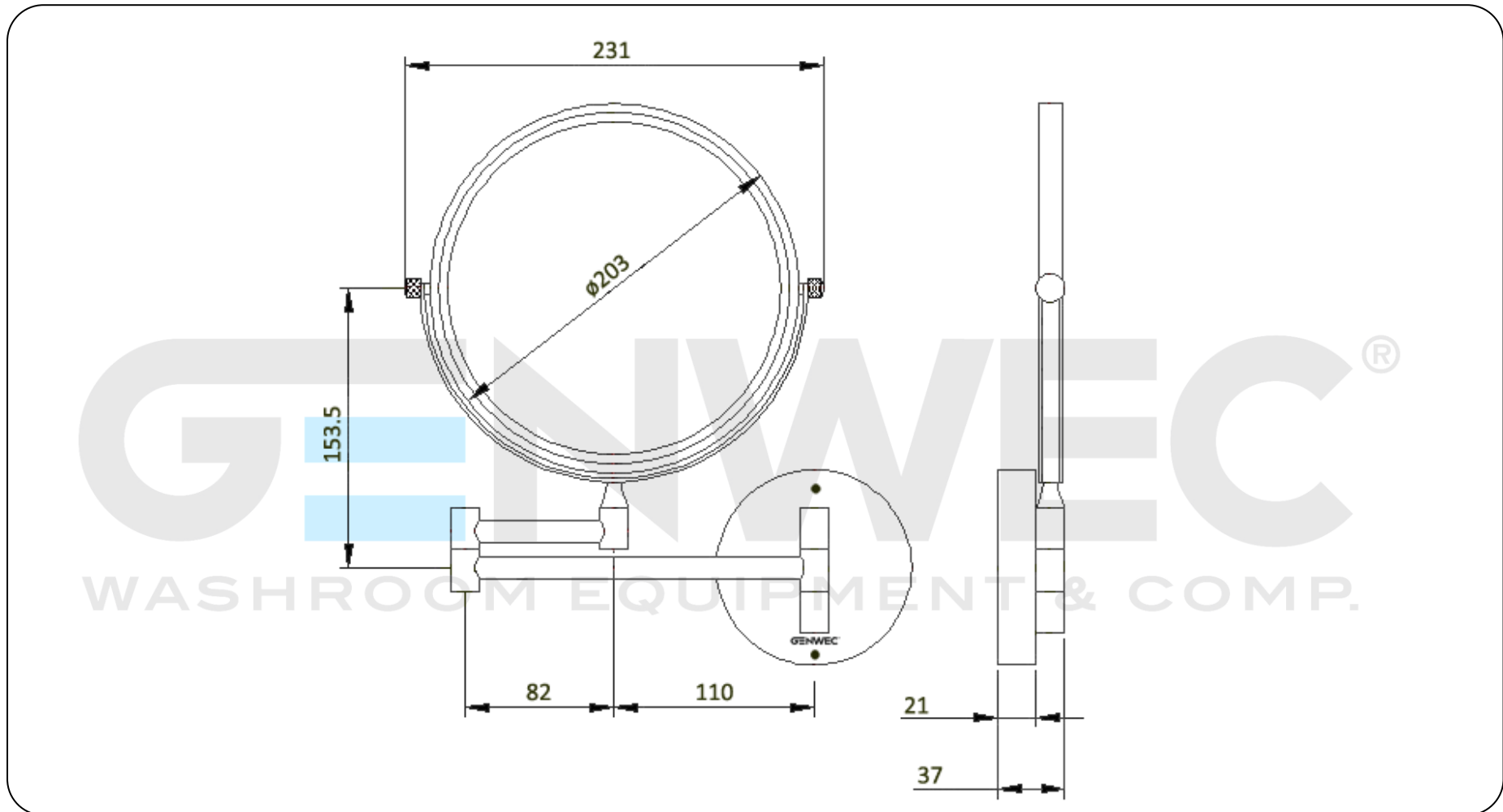
Technical characteristics

Product specifications

- Recessed wall mount made of brass with a thickness of 0.75 mm and a mounting plate inside with a thickness of 2 mm
- Articulated arm in two sections made of precision turned brass parts
- Free movement of the arm on the horizontal plane
- Magnifying mirror
- Free orbital movement of the mirror
- Two holes Ø5 mm on the wall mount
- Chrome finish

Packaging specifications

- Type of individual package: Individual cardboard box and bubble wrap



Cleaning: A cotton cloth slightly dampened in a soapy solution is recommended. Then dry off.