



Product description

Reserve roll holder
Material: AISI 304 Stainless steel
Finish: Brushed
Gerunda Series

Technical specifications:

Reserve roll holder “Gerunda Series”. The product consists of a wall support, a wall plate covering the support element and a support element for rolls. The roll support consists of two cylinders made of AISI 304 stainless steel and fastened perpendicularly. The wall plate covering the support element, fixed by fastening to the edge of the roll support, is made of AISI 304 stainless steel and has a diameter of 50 mm and a thickness of 3 mm. The wall mount, made of steel, has two holes so it can be fixed to the wall by means of screws. The assembled set has a brushed finish that provides it an appropriate resistance against corrosion. The product is anchored to a brick wall by means of 2 nylon wall plugs and 2 screws. The overall dimensions of the product are 169 x 101 x 60 mm. The accessory model reference for the HORECA sector is GW05 25 04 01, made by GENWEC WASHROOM S.L. – Av. Joan Carles I, 46-48 08908 L'Hospitalet de Llobregat, Barcelona (Spain).

Technical specifications

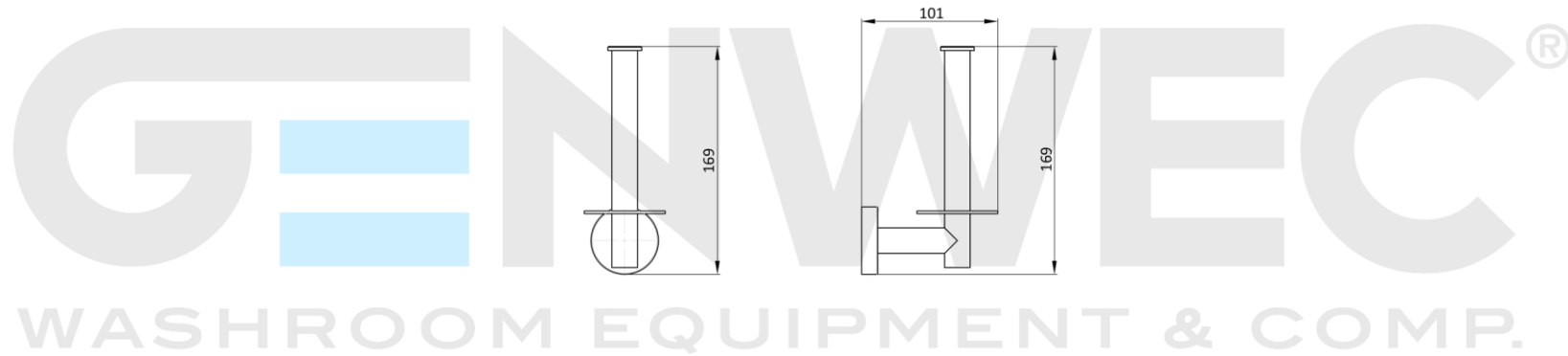
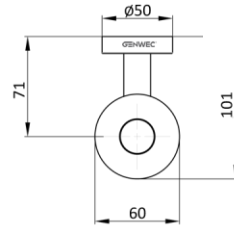
Product specifications

- Support for rolls consisting of two cylinders made of AISI 304 stainless steel
- AISI 304 stainless-steel wall plate with a 50 mm diameter
- The metal parts have a brushed finish that provides them an appropriate resistance against corrosion

Packaging specifications

- Single packaging type: Individual cardboard and bubble wrap

BATHROOM ACCESSORIES **GW05 25 04 01 Reserve roll holder "GERUNDA SERIES"**



Cleaning: A damp cotton cloth with soapy water is recommended. Allow to dry.