



Product description

Glass shelf
Material: Crystal and AISI 304 stainless steel
Finish: Brushed
Serie Formentera

Technical specifications:

Glass shelf "Formentera Series". The product consists of a transparent glass shelf, two wall mounts, two wall plates covering the wall mounts and a front railing. The railing is made of AISI 304 stainless steel and is fastened by two cylinders to the transparent glass shelf. The wall plates covering the wall mounts are made of AISI 304 stainless steel and have a side of 50 mm. The wall mounts, made of steel, have two holes so they can be fixed to the wall by means of screws. The assembled set has a brushed finish that provides it an appropriate resistance against corrosion. The product is anchored to a brick wall by means of 4 nylon wall plugs and 4 screws. The overall dimensions of the product are 523 x 132 x 74 mm. The accessory model for the HORECA sector is GW05 23 04 01, manufactured by GENWEC WASHROOM S.L. – Av. Joan Carles I, 46-48 08908 L'Hospitalet de Llobregat, Barcelona (Spain).

Technical characteristics

Product specifications

Transparent glass shelf

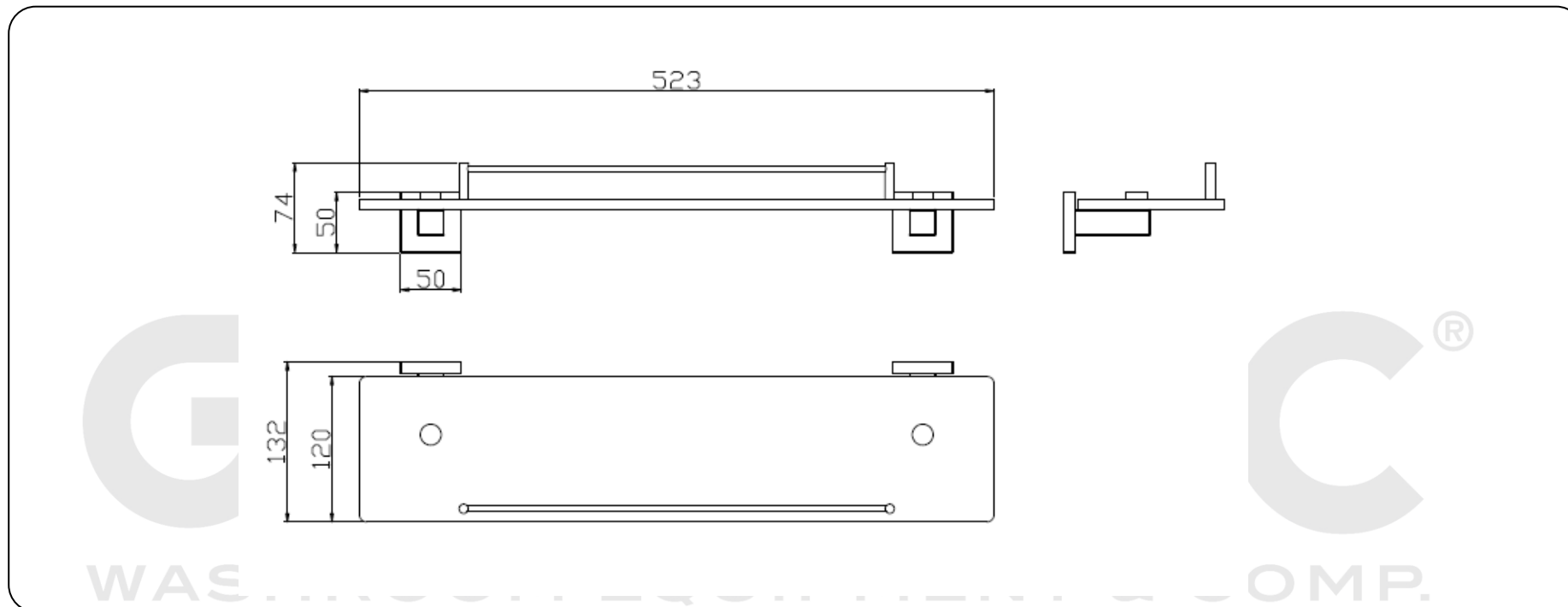
AISI 304 stainless-steel wall plates with a side of 50 mm

The metal parts have a brushed finish that provides them an appropriate resistance against corrosion

Packaging specifications

Type of individual package: Individual cardboard box and bubble wrap

BATHROOM ACCESSORIES **GW05 23 04 01 "FORMENTERA SERIES" Glass shelf**



Cleaning: A cotton cloth slightly dampened in a soapy solution is recommended. Then dry off.