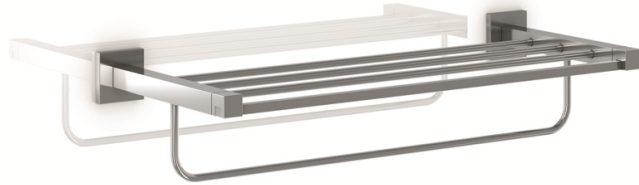


WASHROOM ACCESSORIES **GW05 21 06 02 Towel rack "LUCENTUM SERIES"**



Product description

Towel rack with lower bar
Material: Chrome brass
Finish: Polish
Lucentum Series

Technical specifications:

Towel rack with lower bar. The product consists of a wall support set, a rack for the towels and a lower towel bar. The wall support set consists of a closed-ended brass tube and a fastened support element on its edge made in brass. The wall plate covering the support element, which is fastened to the fixing support, is made in brass casting with a 50 X 50 mm. The rack is made in brass tube with a 10 mm diameter and 0,3 of thickness and it is joined to the wall support by means of welding. The U-shaped lower towel bar is made in brass tube with a 12-mm diameter and it is joined to the fixing support for the elements. The mounted set has a polish finish that provides it an appropriate resistance against corrosion. The product is anchored to a brick wall by means of 4 nylon wall plugs and 4 screws. The overall dimensions of the product are 143,5 x 221 x 631 mm. The accessory model reference for the HORECA sector is GW05 21 06 02, made by GENWEC WASHROOM S.L. – Av. Joan Carles I, 46-48 08908 L'Hospitalet de Llobregat.

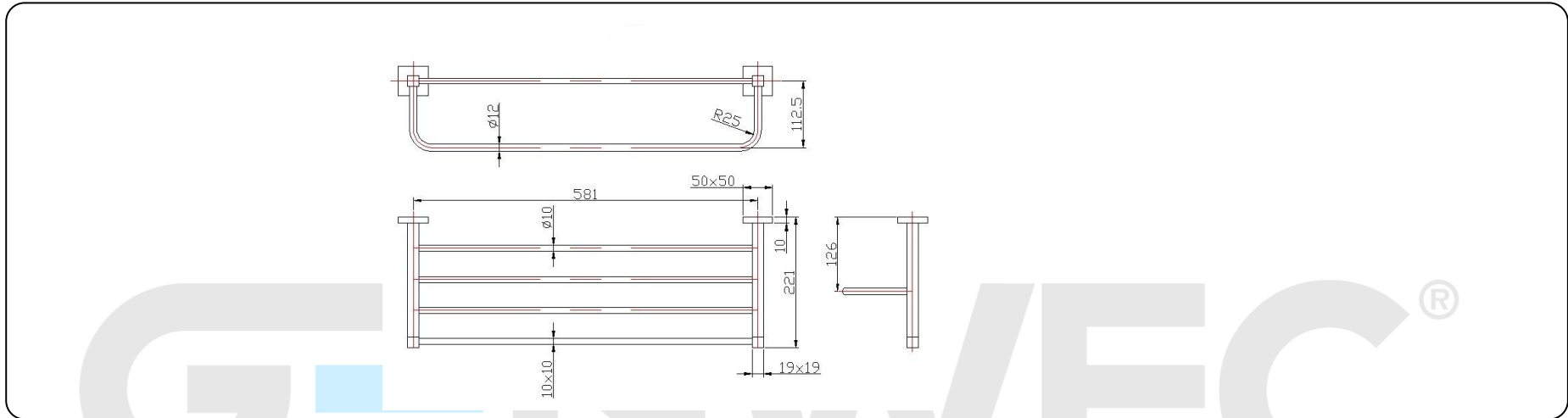
Technical specifications

Product specifications

- Rack bars made in squared brass tube 19 x 19 mm and rounded tube of diameter 10 mm and 0,3 mm of thickness.
- Polish finish.

Packaging specifications

- Single packaging type: Single cardboard and bubble wrap.



Cleaning: A damp cotton cloth with soapy water is recommended. Allow to dry.

WASHROOM EQUIPMENT & COMP.