

WASHROOM ACCESSORIES **GW05 18 06 02 "LUCETUM SERIES" towel bar**



Product description

Towel bar 600 mm
Brass with chrome finish
Finish: Polish
Lucentum Series

Technical specifications:

Straight bar with two support elements. The bar consists of a squared brass support tube of 10 x 10 mm and 3 mm of thickness. The ends are attached to the support elements and are made of brass. The wall plate covering the support elements, which is fastened to the fixing support, is made of cast brass. The abovementioned supports have 2 holes that are used to fix the set to the wall. The assembled set has a polished chrome finish that provides it an appropriate resistance against corrosion. The product is anchored to a brick wall by means of 4 nylon wall plugs and 4 screws. The overall dimensions of the product are 50x635x75 mm. The accessory model for the HORECA sector is GW05 18 06 02, manufactured by GENWEC WASHROOM S.L. - Av. Joan Carles I, 46-48 08908 L'Hospitalet de Llobregat.

Technical characteristics

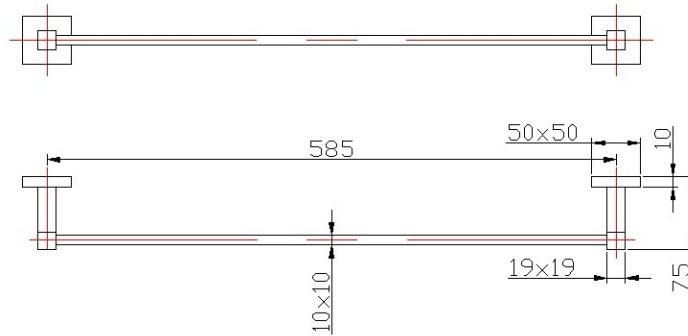
Product specifications

Bar made of brass squared tube 10 x 10
Polished Chrome finish

Packaging specifications

- Type of individual package: Individual cardboard box and Cell Air wrap

WASHROOM ACCESSORIES **GW05 18 06 02 "LUCETUM SERIES" towel bar**



Cleaning: A cotton cloth slightly dampened in a soapy solution is recommended. Then dry off.

GENWEC[®]
WASHROOM EQUIPMENT & COMP.