

Product description

Glass shelf
Material: Crystal and injected zinc
Finish: Chrome plating
Serie Cartago

Technical specifications:

Glass shelf “Cartago Series”. The product consists of a transparent glass shelf, two wall mounts, two wall plates covering the wall mounts and a perimeter railing. The railing is made of injected zinc and is fastened by four cylinders to the transparent glass shelf. The wall plates covering the wall mounts are made of injected zinc and have a diameter of 56 mm and a thickness of 1,5 mm. The wall mounts have two holes so they can be fixed to the wall by means of screws. The assembled set has a chromed finish that provides it an appropriate resistance against corrosion. The product is anchored to a brick wall by means of 4 nylon wall plugs and 4 screws. The overall dimensions of the product are 75x520x142,5mm. The accessory model for the HORECA sector is GW05 13 05 02, manufactured by GENWEC WASHROOM S.L. – Av. Joan Carles I, 46-48 ES08908 L’Hospitalet de Llobregat. www.genwec.com

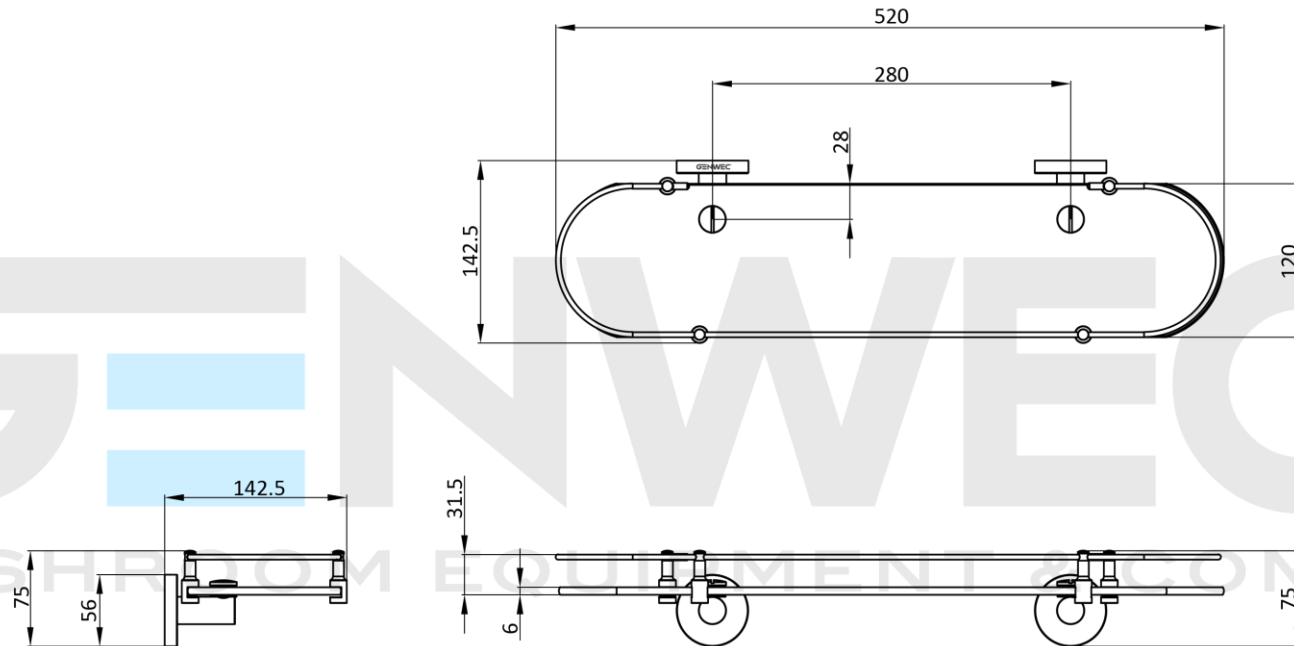
Technical characteristics

Product specifications

6mm transparent glass shelf
Injected zinc wall plate and railing
The metal parts have a chromed finish that provides them an appropriate resistance against corrosion

Packaging specifications

Type of individual package: Individual cardboard box and bubble wrap



Cleaning: A cotton cloth slightly dampened in a soapy solution is recommended. Then dry off.