

Product description

Double towel bar
Material: Injected zinc
Finish: Chrome
Cartago Series

Technical specifications:

“Cartago Series” double towel bar. The product consists of two wall mounts, two wall plates covering the wall mounts and two towel bars. The bars are made of injected zinc with a diameter of 12 mm and a thickness of 0.4 mm and are fixed in place to the support cylinders by its ends. The wall plates covering the wall mounts, which are fastened to the ends of the support cylinders, are made of injected zinc and have diameter of 56.5 mm and a thickness of 1.5 mm. The wall mounts, made of carbon steel, have two holes so they can be fixed to the wall by means of screws. The assembled set has a chrome finish plated with 3.5-6 µm nickel + 2-3 µm chromium that provides it an appropriate resistance against corrosion. The product is anchored to a brick wall by means of 4 nylon wall plugs and 4 screws. The overall dimensions of the product are 628 x 119,2 x 56,5 mm. The accessory model for the HORECA sector is GW05 12 05 02, manufactured by GENWEC WASHROOM S.L. - Av. Joan Carles I, 46-48 ES 08908 L'Hospitalet de Llobregat- Barcelona (Spain).

Technical characteristics

Product specifications

Carbon steel wall mount.

Bars made of injected zinc with a diameter of 12 mm and a thickness of 0.4 mm.

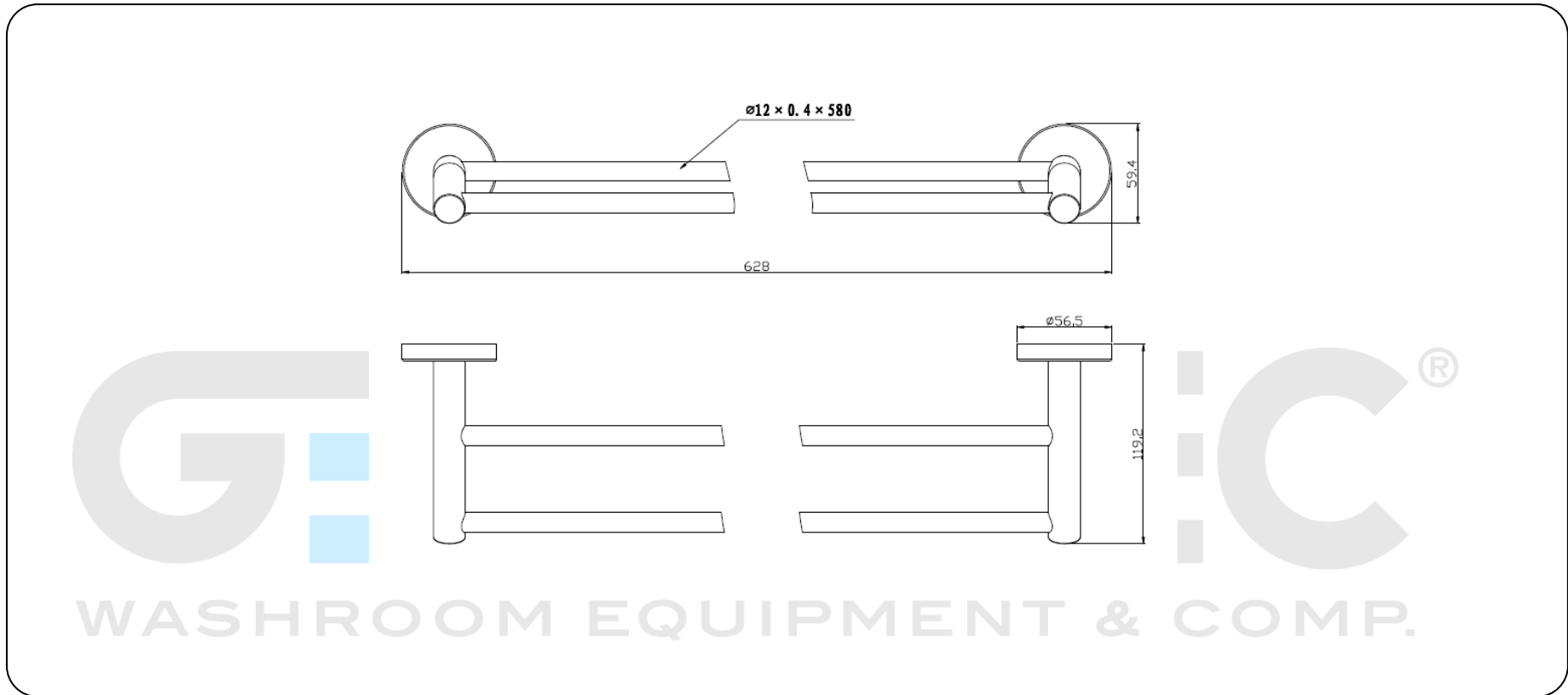
Wall plate made of injected zinc with a 56.5-mm diameter.

The metal parts have a chrome finish plated with 3.5-6 µm nickel + 2-3 µm chromium.

Packaging specifications

- Type of individual package: Individual cardboard box and bubble wrap

BATHROOM ACCESSORIES **GW05 12 05 02 "CARTAGO SERIES" Double towel bar**



Cleaning: A cotton cloth slightly dampened in a soapy solution is recommended. Then dry off.