

BATHROOM ACCESSORIES **GW05 12 04 01 “GERUNDA SERIES” towel shelf**



**Product description**

Towel shelf with lower towel bar  
Material: AISI 304 Stainless steel  
Finish: Brushed  
Gerunda Series

**Technical specifications:**

“Gerunda Series” towel shelf. The product consists of **two wall mounts**, two wall plates covering the wall mounts and the towel bars. The towel bars, made of AISI 304 stainless steel and with a diameter of 12 mm, are fixed to the central cylinders by means of screws, as so is the U-shaped lower towel bar. The wall plates covering the wall mounts, which are fastened to the ends of the central cylinders, are made of AISI 304 stainless steel and have a diameter of 50.5 mm and a thickness of 3 mm. The wall mounts, made of steel, have two holes so they can be fixed to the wall by means of screws. The assembled set has a brushed finish that provides it an appropriate resistance against corrosion. The product is anchored to a brick wall by means of 4 nylon wall plugs and 4 screws. The overall dimensions of the product are 128 x 608 x 213 mm. The accessory model for the HORECA sector is GW05 12 04 01, manufactured by GENWEC WASHROOM S.L. - Av. Joan Carles I, 46-48 08908 L'Hospitalet de Llobregat.

**Technical characteristics**

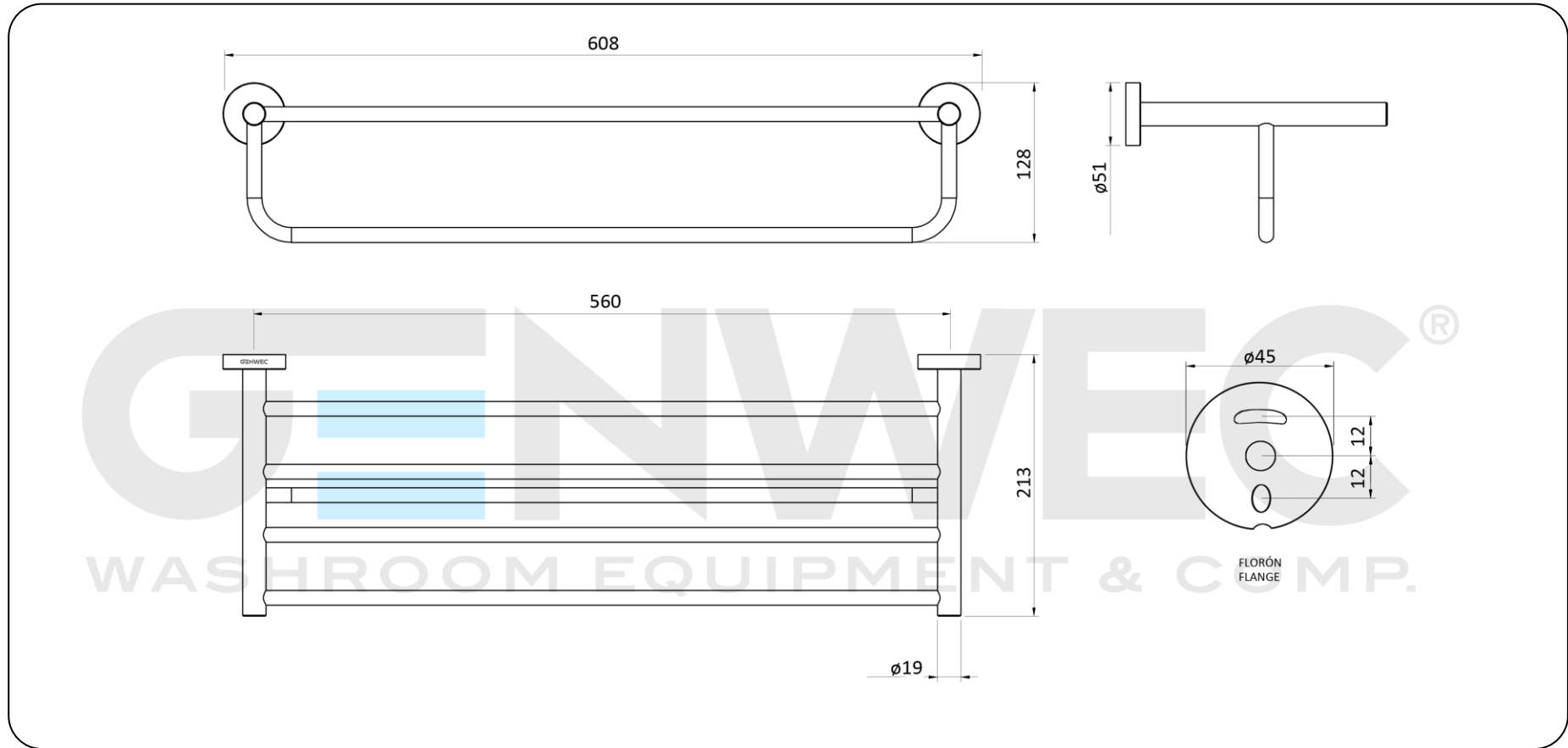
**Product specifications**

- Towel bars made of AISI 304 stainless steel with a diameter of 12 mm
- AISI 304 stainless-steel wall plates with a diameter of 50.5 mm
- The metal parts have a brushed finish that provides them an appropriate resistance against corrosion

**Packaging specifications**

- Type of individual package: Individual cardboard box and bubble wrap

BATHROOM ACCESSORIES **GW05 12 04 01 "GERUNDA SERIES" towel shelf**



**Cleaning:** A cotton cloth slightly dampened in a soapy solution is recommended. Then dry off.