

BATHROOM ACCESSORIES **GW05 09 04 01 “GERUNDA SERIES” towel bar**



**Product description**

Towel bar  
Material: AISI 304 Stainless steel  
Finish: Brushed  
Gerunda Series

**Technical specifications:**

“Gerunda Series” towel bar. The product consists of two wall mounts, two wall plates covering the wall mounts and a towel bar. The towel bar, made of AISI 304 stainless steel and with a diameter of 12 mm, is fixed to the ends of the central cylinders by means of screws. The wall plates covering the wall mounts, which are fastened to the ends of the central cylinders, are made of AISI 304 stainless steel and have a diameter of 50.5 mm and a thickness of 3 mm. The wall mounts, made of steel, have two holes so they can be fixed to the wall by means of screws. The assembled set has a brushed finish that provides it an appropriate resistance against corrosion. The product is anchored to a brick wall by means of 4 nylon wall plugs and 4 screws. The overall dimensions of the product are 50.5 x 606 x 67 mm. The accessory model for the HORECA sector is GW05 09 04 01, manufactured by GENWEC WASHROOM S.L. - Av. Joan Carles I, 46-48 08908 L'Hospitalet de Llobregat.

**Technical characteristics**

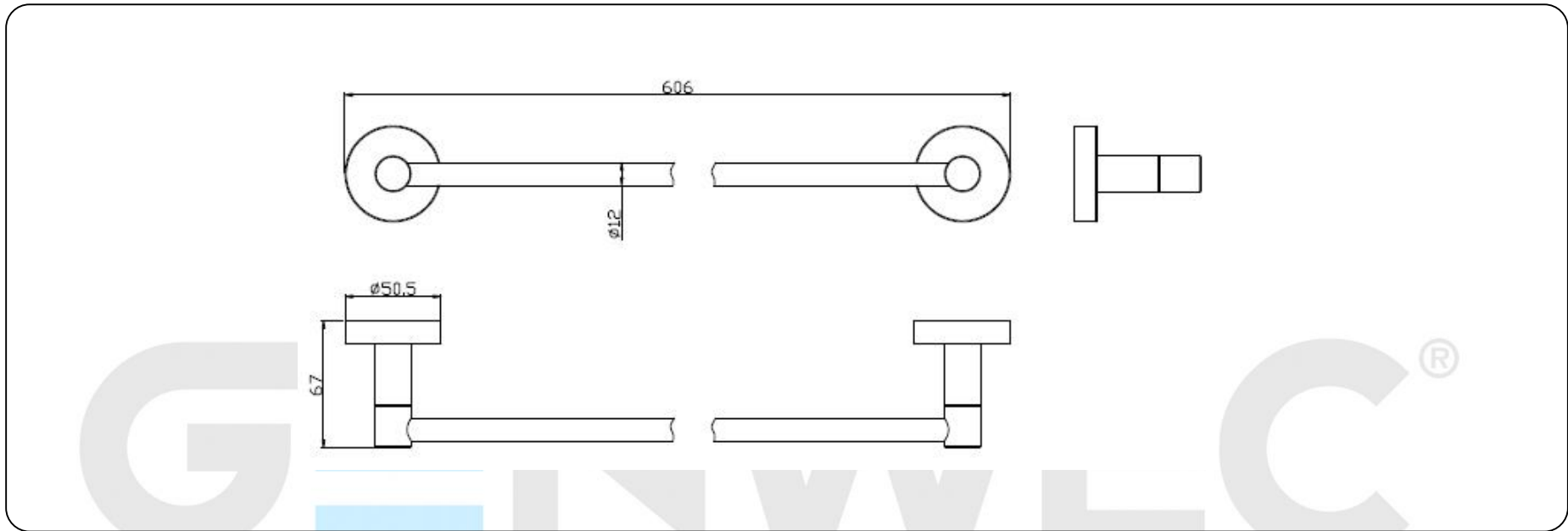
**Product specifications**

- Towel bar made of AISI 304 stainless steel with a 12 mm diameter
- AISI 304 stainless-steel wall plates with a diameter of 50.5 mm
- The metal parts have a brushed finish that provides them an appropriate resistance against corrosion

**Packaging specifications**

- Type of individual package: Individual cardboard box and bubble wrap

BATHROOM ACCESSORIES **GW05 09 04 01 "GERUNDA SERIES" towel bar**



**Cleaning:** A cotton cloth slightly dampened in a soapy solution is recommended. Then dry off.

WASHROOM EQUIPMENT & COMP.