



Product description

Wall mounted toilet brush
Brush bowl made of pressed glass in matte finish
Material: Chrome brass
Finish: Polished
Itálica Series

Technical specifications:

Wall mounted toilet brush. The product consists of a round wall mount, a side-mounted brush bowl and the toilet brush set. The wall mount set, made of chrome brass, is assembled by means of screws, and it consists of a recessed fitting and a circular holding accessory. The brush bowl, made of pressed glass with a matte finish, is fitted in the circular holding accessory. The mounted metal parts have a chrome finish that provides it an appropriate resistance against corrosion. The toilet brush set consists of a handle and a brush head. The product is anchored to a brick wall using the zinc-coated carbon-steel mount by means of 2 nylon wall plugs and 2 screws. The overall dimensions of the product are 360 x 158.5 x 117.9 mm. The bathroom accessory model is GW05 06 06 02, manufactured by GENWEC WASHROOM S.L. - Av. Joan Carles I, 46-48 08908 L'Hospitalet de Llobregat.

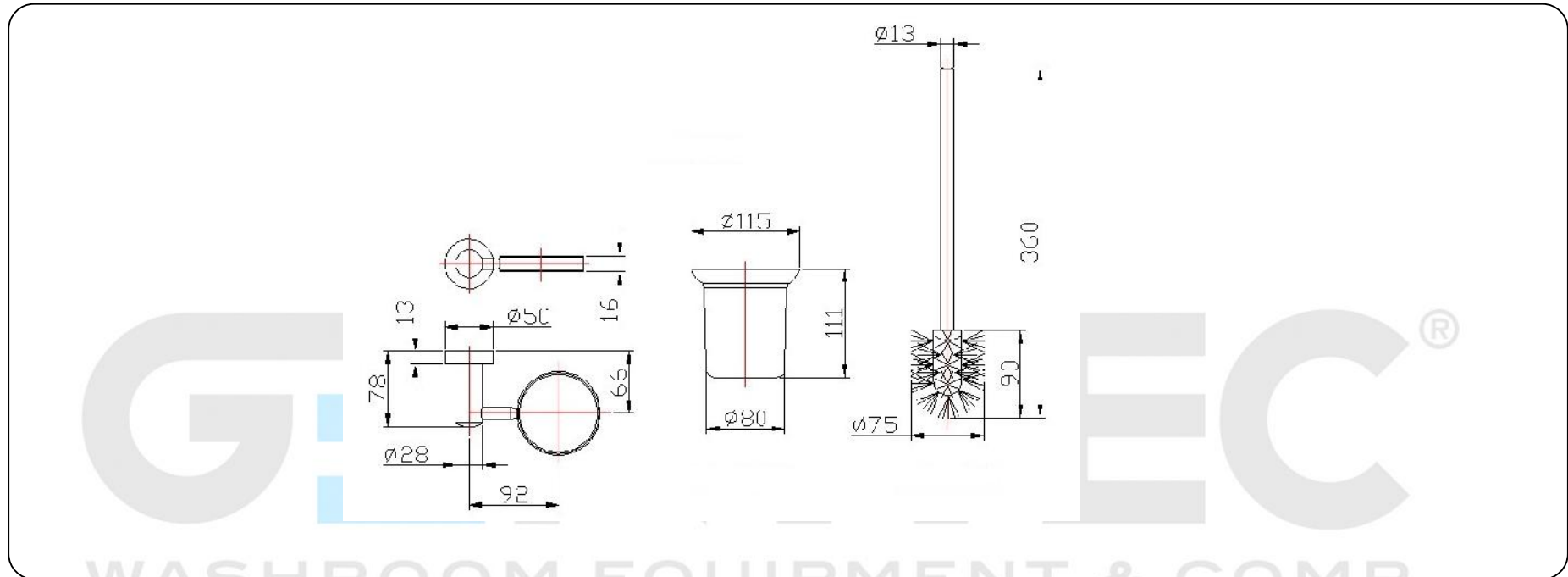
Technical characteristics

Product specifications

- Wall mount set made of chrome brass and assembled by means of screws
- Brush bowl made of pressed glass in matte finish
- Finish: Chrome finish

Packaging specifications

- Type of individual package: Individual cardboard box and bubble wrap



Cleaning: A cotton cloth slightly dampened in a soapy solution is recommended. Then dry off.