

BATHROOM ACCESSORIES **GW05 06 04 01 “GERUNDA SERIES” paper dispenser**



**Product description**

Paper dispenser with cover  
Material: AISI 304 Stainless steel  
Finish: Brushed  
Gerunda Series

**Technical specifications:**

“Gerunda Series” paper dispenser with cover. The product consists of a wall mount, a wall plate covering the wall mount, a paper roll rod and a paper roll cover. The cover, made of 1-mm thick AISI 304 stainless steel, is attached to the U-shaped rod, which is made of AISI 304 stainless steel. The rod is fixed to a central cylinder, made of AISI 304 stainless steel with an 18-mm diameter, by means of screws. The wall plate covering the wall mount, which is fastened to the central cylinder, is made of AISI 304 stainless steel and has a diameter of 50.5-mm and a thickness of 3-mm. The wall mount, made of steel, has two holes so it can be fixed to the wall by means of screws. The assembled set has a brushed finish that provides it an appropriate resistance against corrosion. The product is anchored to a brick wall by means of 2 nylon wall plugs and 2 screws. The overall dimensions of the product are 149 x 126 x 68 mm. The accessory model for the HORECA sector is GW05 06 04 01, manufactured by GENWEC WASHROOM S.L. - Av. Joan Carles I, 46-48 08908 L’Hospitalet de Llobregat.

**Technical characteristics**

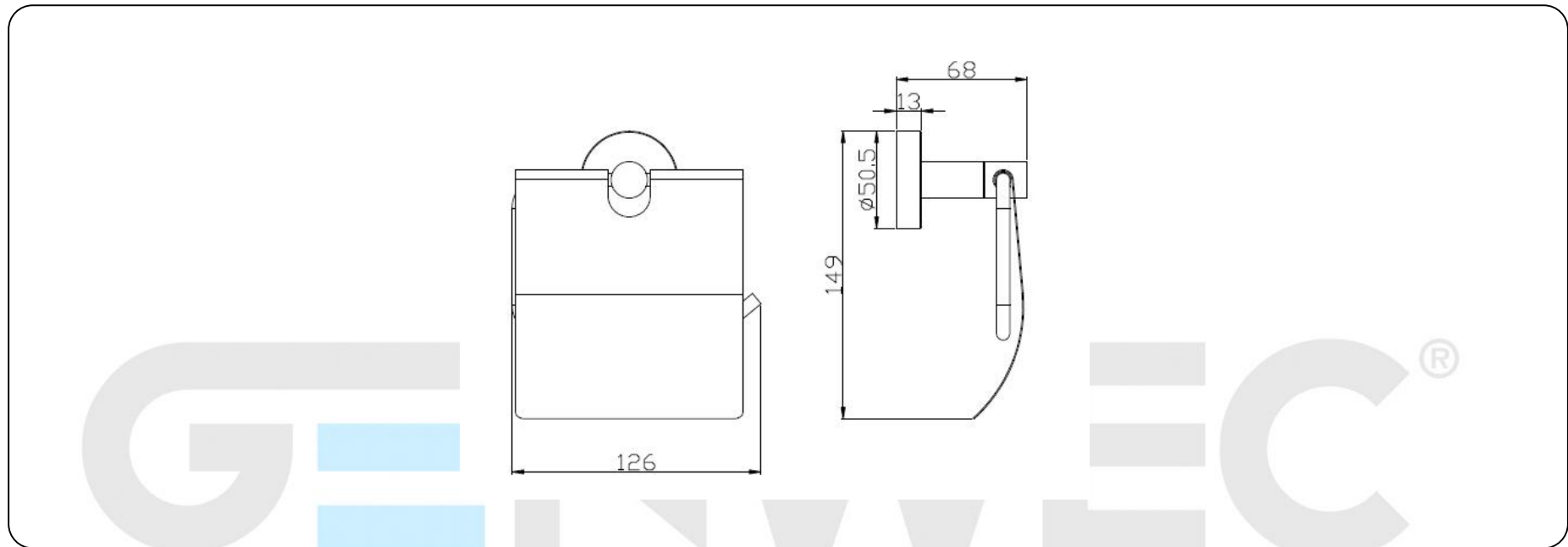
**Product specifications**

- Paper roll cover and rod made of AISI 304 stainless steel
- AISI 304 stainless-steel wall plate with a 50.5-mm diameter
- The metal parts have a brushed finish that provides them an appropriate resistance against corrosion

**Packaging specifications**

- Type of individual package: Individual cardboard box and bubble wrap

BATHROOM ACCESSORIES **GW05 06 04 01 "GERUNDA SERIES" paper dispenser**



**Cleaning:** A cotton cloth slightly dampened in a soapy solution is recommended. Then dry off.