



Product description

Wall mounted tumbler holder
Material: AISI 304 Stainless steel
Finish: Brushed
Tumbler made of glass in acid matte finish
Gerunda Series

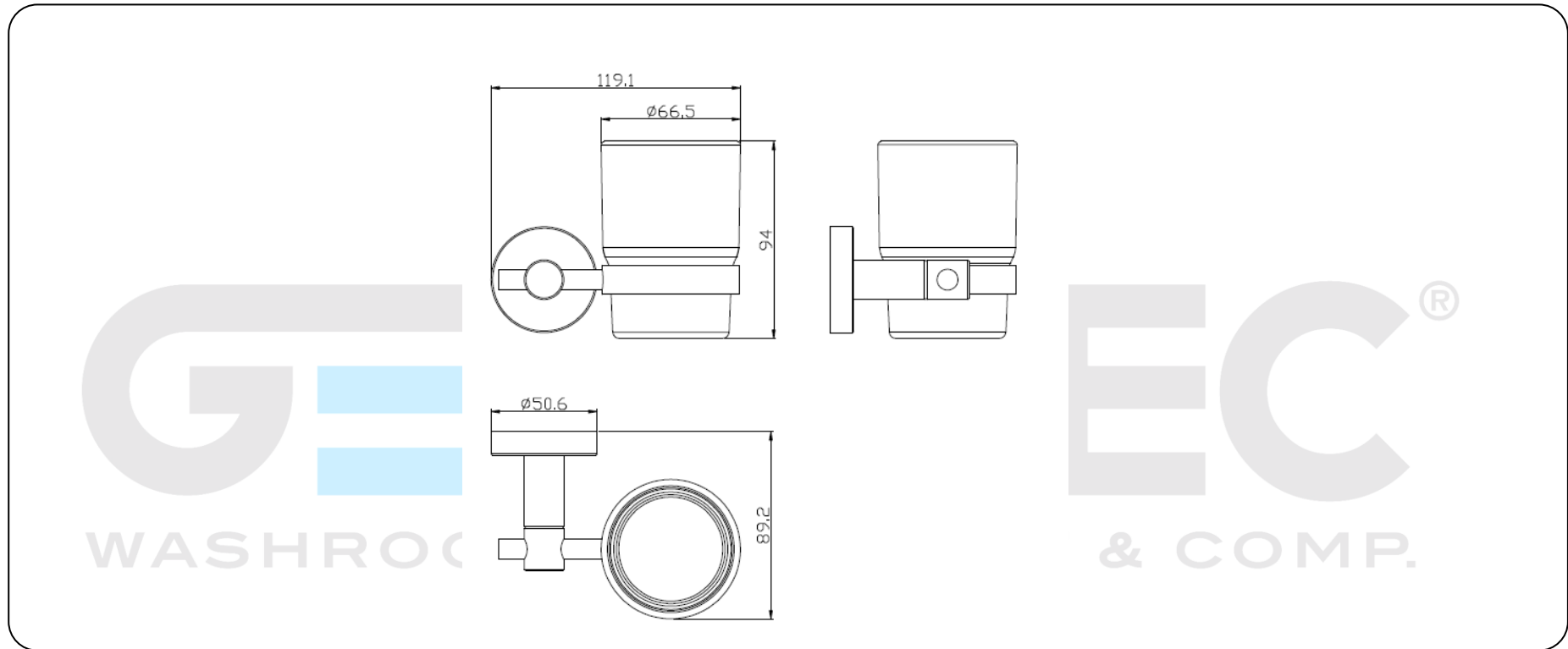
Technical specifications:

“Gerunda Series” tumbler holder. The product consists of a wall mount, a wall plate covering the wall mount and the tumbler. The tumbler, which is made of pressed glass with an acid matte finish and which is fitted in the circular holding accessory that is attached to the central cylinder by means of screws. The wall plate covering the wall mount, which is fastened to the central cylinder, is made of AISI 304 stainless steel and has a diameter of 50.6 mm. The wall mount, made of steel, has two holes so it can be fixed to the wall by means of screws. The assembled set has a brushed finish that provides it an appropriate resistance against corrosion. The product is anchored to a brick wall by means of 2 nylon wall plugs and 2 screws. The overall dimensions of the product are 119,1 x 94 x 89,2 mm. The accessory model for the HORECA sector is GW05 02 04 01, manufactured by GENWEC WASHROOM S.L. - Av. Joan Carles I, 46-48 ES-08908 L'Hospitalet de Llobregat (Barcelona – Spain).

Technical characteristics

Product specifications

- Tumbler made of pressed glass with an acid matte finish
- AISI 304 stainless-steel wall plate with a 50.6 mm diameter
- The metal parts have a brushed finish that provides them an appropriate resistance against corrosion



Cleaning: A cotton cloth slightly dampened in a soapy solution is recommended. Then dry off.